
















**2025
KART ACCESSORIES
PRICE LIST**



I PREZZI DEL PRESENTE LISTINO AL PUBBLICO SONO DA INTENDERSI PER MERCE FRANCO NOSTRO STABILIMENTO DI SALIZZOLE (VR) E SONO RIFERITI UNICAMENTE AL MERCATO ITALIANO.

THE PRICES QUOTED IN THIS PUBLIC PRICE LIST ARE ON EX-WORKS BASIS (SALIZZOLE /VR ITALY) AND THEY'RE ONLY REFERRED TO THE ITALIAN MARKET.

| INDICE INDEX | |
|---|--|
| IMPIANTI FRENO BRAKE SYSTEMS | |
| SISTEMA FRENANTE ANTERIORE STR-V2 STR-V2 FRONT BRAKE SYSTEM |  1 |
| SISTEMA FRENANTE POSTERIORE RBS-V2 RBS-V2 REAR BRAKE SYSTEM |  3 |
| SISTEMA FRENANTE POSTERIORE RBS-V3 RBS-V3 REAR BRAKE SYSTEM |  5 |
| SISTEMA FRENANTE POSTERIORE MKB-V2 MKB-V2 REAR BRAKE SYSTEM |  7 |
| SISTEMA FRENANTE POSTERIORE MECCANICO MECHANICAL REAR BRAKE SYSTEM | 9 |
| SISTEMA FRENANTE POSTERIORE BLACK LINE BLACK LINE REAR BRAKE SYSTEM |  10 |
| POMPE FRENO BRAKE PUMPS | 12 |
| ACCESSORI FRENI BRAKE ACCESSORIES |  13 |
| ASSALI & ACCESSORI AXLES & ACCESSORIES | 14 |
| CUSCINETTI & SUPPORTI CUSCINETTO BEARINGS & BEARING SUPPORTS |  15 |
| MOZZI HUBS | 16 |
| COMPONENTI IN MAGNESIO MAGNESIUM COMPONENTS | 18 |
| CORONE, SUPPORTI CORONA & ACCESSORI SPROCKETS, SPROCKET SUPPORTS & ACCESSORIES |  19 |
| PIANTONI STERZO & ACCESSORI STEERING COLUMNS & ACCESSORIES |  21 |
| VOLANTE & MOZZI STEERING WHEEL & HUBS | 22 |
| FUSELLI & ACCESSORI SPINDLES & ACCESSORIES |  23 |
| CAMBIO & FRIZIONE GEAR & CLUTCH | 25 |
| PEDALI & ACCESSORI PEDALS & ACCESSORIES | 26 |
| PIANALI FLOOR PLATES |  29 |
| SEDILI & ACCESSORI SEATS & ACCESORIES |  30 |
| BARRE STABILIZZATRICI E SUPPORTI PARAURTI STABILIZER BARS & REAR SPOILER SUPPORT | 33 |
| CARENATURE BODYWORKS |  34 |
| PIASTRE MOTORE ENGINE MOUNTS |  40 |
| CATENE & CONVOGLIATORE CHAINS & AIR CONVEYOR | 41 |
| RADIATORI & SUPPORTI RADIATORS & SUPPORTS | 42 |
| POMPA ACQUA WATER PUMP | 44 |
| SUPPORTI SCARICO EXHAUST SUPPORTS |  45 |
| CERCHI WHEEL RIMS | 47 |
| SERBATOIO & ACCESSORI FUEL TANK & ACCESSORIES | 48 |
| PRODOTTI XERAMIC & ACCESSORI PISTA XERAMIC PRODUCTS & TRACK ACCESSORIES | 49 |

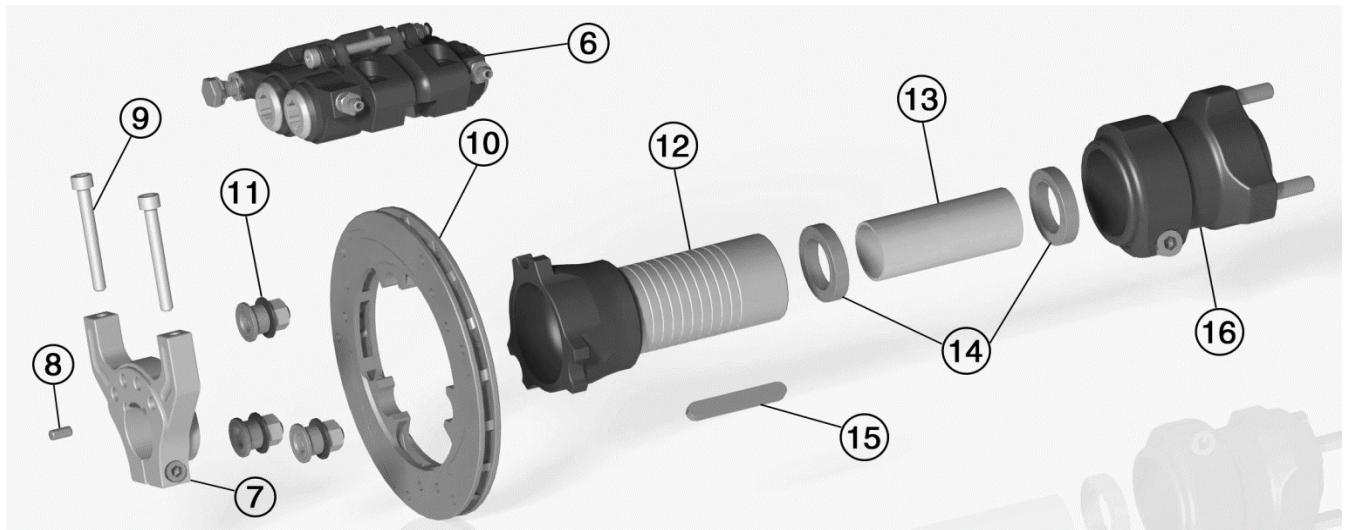
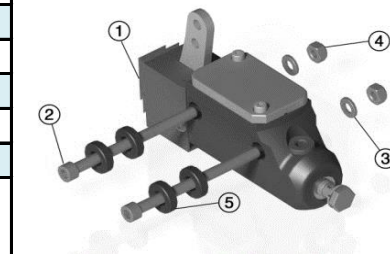
IMPIANTO FRENO ANTERIORE STR-V2 | FRONT BRAKE SYSTEM STR-V2

| Codice code | Descrizione description | Prezzo (IVA escl.) price (excl. VAT) |
|--------------|--|--------------------------------------|
| BRK-SV2FRSYS | SISTEMA FRENANTE ANTERIORE STR-V2 STR-V2 FRONT BRAKE SYSTEM | € 1.349,00 |

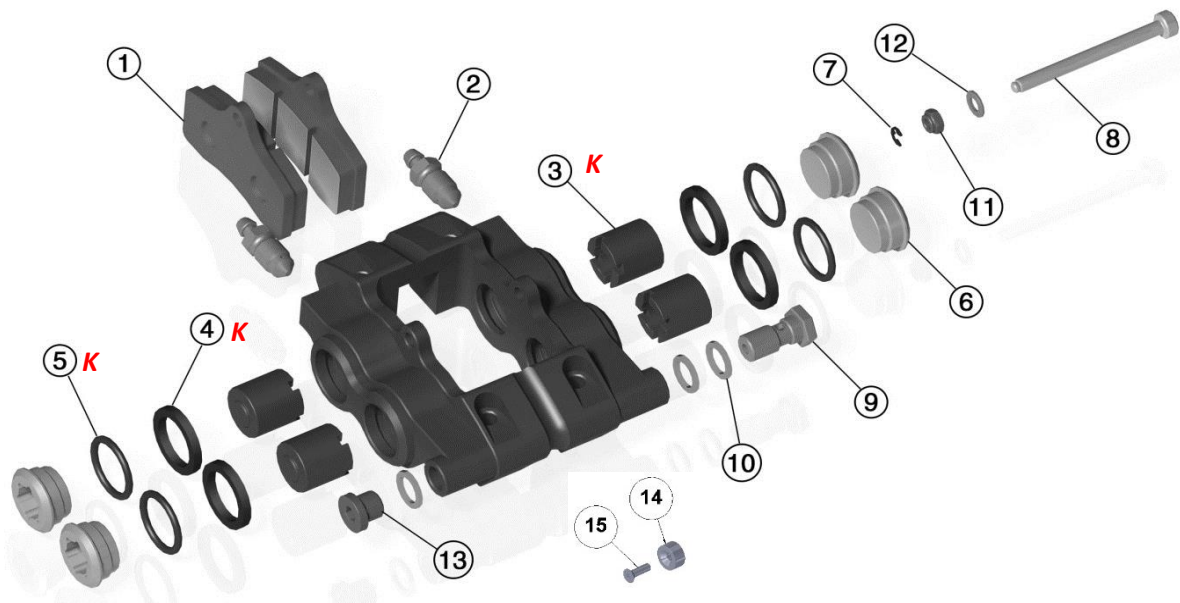
| | | |
|-----------|--|---------|
| BRK-PPSV2 | TUBO FRENO ANTERIORE STR-V2 STR-V2 FRONT BRAKE PIPE | € 56,50 |
|-----------|--|---------|



| | | | |
|----|-----------------|--|----------|
| 1 | CS-PMP-19OL | POMPA FRENO Ø19MM BRAKE PUMP Ø19MM | € 125,00 |
| 2A | KIT-VT-SC0680CH | VITE TESTA CILINDRICA M6x80MM (50 pezzi) SCREW CYLINDRICAL HEAD M6x80MM (50 pieces) | € 23,00 |
| 2B | KIT-VT-SC0645CH | VITE TESTA CILINDRICA M6x45MM (50 pezzi) SCREW CYLINDRICAL HEAD M6x45MM (50 pieces) | € 23,00 |
| 3 | KIT-VT-WS0612 | RONDELLA Ø6x12MM (50 pezzi) WASHER Ø6x12MM (50 pieces) | € 15,00 |
| 4 | KIT-VT-NT06SL | DADO AUTOBLOCCANTE BASSO M6 (50 pezzi) NUT SELFLOCK LOW M6 (50 pieces) | € 19,00 |
| 5 | KIT-VT-SP0518 | DISTANZIALE Ø8.5xØ18xH5MM (10 pezzi) SPACER Ø8.5xØ18xH5MM (10 pieces) | € 35,50 |



| | | | |
|----|------------------|--|----------|
| 6A | CS-BRK-CALSV2LF | PINZA FRENO ANTERIORE SINISTRA STR-V2 - con pastiglie e viteria STR-V2 FRONT LEFT BRAKE CALIPER - with pads and screws | € 224,00 |
| 6B | CS-BRK-CALSV2RG | PINZA FRENO ANTERIORE DESTRA STR-V2 - con pastiglie e viteria STR-V2 FRONT RIGHT BRAKE CALIPER - with pads and screws | € 224,00 |
| 7A | BRK-CLSUPS2L | SUPPORTO PINZA ANTERIORE STR-V2 SINISTRO con vite STR-V2 FRONT LEFT CALIPER SUPPORT with screw | € 59,00 |
| 7B | BRK-CLSUPS2R | SUPPORTO PINZA ANTERIORE STR-V2 DESTRO con vite STR-V2 FRONT RIGHT CALIPER SUPPORT with screw | € 59,00 |
| 8 | KIT-VT-PN0510 | SPINA CILINDRICA Ø5x10MM (50 pezzi) PIN Ø5x10MM (50 pieces) | € 19,00 |
| 9 | KIT-VT-SC0640CH | VITE TESTA CILINDRICA M6x40MM (50 pezzi) SCREW CYLINDRICAL HEAD M6x40MM (50 pieces) | € 23,00 |
| 10 | DSC-FRTSV2 | DISCO FRENO ANTERIORE STR-V2 - POSTERIORE MKB-V2 STR-V2 FRONT BRAKE DISC - MKB-V2 REAR BRAKE DISC | € 146,00 |
| 11 | KIT-DSCSTRFIX3 | VITERIA FISSAGGIO DISCO ANTERIORE STR-V2 - POSTERIORE MKB-V2 (3 componenti per tipo) STR-V2 FRONT BRAKE DISC - MKB-V2 REAR MOUNTING SCREWS (3 pieces for each components) | € 29,00 |
| 12 | CS-DSC-SUPFRTSTR | SUPPORTO DISCO FRENO ANTERIORE STR-V2 con cuscinetti STR-V2 FRONT BRAKE DISC SUPPORT with bearings | € 83,00 |
| 13 | KIT-VT-SP2571 | DISTANZIALE CUSCINETTI Ø25.5XØ29X71MM (x10 pezzi) BEARINGS SPACER Ø25.5XØ29X71MM (10 pieces) | € 54,00 |
| 14 | KIT-CU-2537 | CUSCINETTO Ø25xØ37xH7MM (10 pezzi) BEARING Ø25xØ37xH7MM (10 pieces) | € 83,00 |
| 15 | KIT-AXL-KEY8550 | CHIAVETTA 8x5x50MM (20 pezzi) AXLE KEY 8x5x50MM (20 pieces) | € 35,50 |
| 16 | CS-HUB-FRT4270R | MOZZO ANTERIORE Ø42XL70MM MOD. R ANODIZZATO R MODEL FRONT HUB Ø42XL70MM ANODIZED | € 81,00 |



| | | | |
|----------|--------------------|---|----------|
| 1 | KIT-PAD-STRV2-NR | PASTIGLIA FRENO ANTERIORE STR-V2 NERA (10 pezzi) STANDARD STR-V2 FRONT BRAKE PAD BLACK (10 pieces) STANDARD | € 194,50 |
| 2 | KIT-VT-OL10BR | VITE SPURGO FRENO M10 (10 pezzi) SCREW BREATHER M10 (10 pieces) | € 41,00 |
| 3 | KIT-BRK-CALPS19 | PISTONE PINZA FRENO Ø19MM CON MAGNETE (10 pezzi) New BRAKE CALIPER PISTON Ø19MM WITH MAGNET (10 pieces) | € 129,00 |
| 4 | KIT-VT-SQ1925 | GUARNIZIONE SEZIONE QUADRA Ø19x25MM (50 pezzi) SQUARE SECTION GASKET Ø19x25MM (50 pieces) | € 39,00 |
| 5 | KIT-VT-OR19 | O-RING Ø19MM (50 pezzi) O-RING Ø19MM (50 pieces) | € 14,00 |
| 6 | KIT-BRK-CALCAP19 | TAPPO PINZA FRENO Ø19MM (10 pezzi) BRAKE CALIPER CAP Ø19MM (10 pieces) | € 104,00 |
| 7 | KIT-VT-SG3 | SEEGER Ø3,2MM (50 pezzi) SEEGER Ø3,2MM (50 pieces) | € 12,00 |
| 8 | KIT-BRK-STRV1SFP | VITE SICUREZZA PASTIGLIA FRENO STR-V1 (10 pezzi) STR-V1 BRAKE PAD SAFETY PIN (10 pieces) | € 41,00 |
| 9 | KIT-VT-OL10CN | VITE TUBO FRENO M10 (10 pezzi) SCREW OIL PIPE CONNECTION M10 (10 pieces) | € 41,00 |
| 10 | KIT-VT-WS1014 | RONDELLA RAMATA Ø10x14MM (50 pezzi) COPPER WASHER Ø10x14MM (50 pieces) | € 30,50 |
| 11 | KIT-VT-NT05SL | DADO AUTOBLOCCANTE BASSO M5 (50 pezzi) NUT SELFLOCK LOW M5 (50 pieces) | € 19,00 |
| 12 | KIT-VT-WS0510 | RONDELLA Ø5x10MM (50 pezzi) WASHER Ø5x10MM (50 pieces) | € 15,00 |
| 13 | KIT-VT-OL10CP | TAPPO OLIO M10 (10 pezzi) THREADED OIL CAP M10 (10 pieces) | € 15,00 |
| 14 | KIT-BRK-MGN105 | MAGNETE Ø10x5MM PER PISTONE PINZA FRENO (10 pezzi) New MAGNET Ø10x5MM FOR BRAKE CALIPER PISTON (10 pieces) | € 20,00 |
| 15 | KIT-VT-SC0310SHCR | VITE TESTA SVASATA A CROCE M3x10MM (50 pezzi) New SCREW COUNTERSUNK HEAD CROSS RECESS M3x10MM (50 pieces) | € 23,00 |
| K | KIT-BRK-SMV2CALREV | Kit revisione pinza freno STR.V2 / MKB.V2 (per 1 pinza) STR.V2 / MKB.V2 BRAKE CALIPER REVISION KIT (for 1 caliper) | € 59,00 |

PASTIGLIE | PADS

| Codice code | Descrizione description | Mescola compound | Prezzo price |
|------------------|---|-----------------------------|-----------------|
| KIT-PAD-STRV2-GR | PASTIGLIA FRENO ANTERIORE STR-V2 VERDE (10 pezzi) OPTIONAL STR-V2 FRONT BRAKE PAD GREEN (10 pieces) OPTIONAL | SUPER MORBIDA SUPER SOFT | € 287,50 |
| KIT-PAD-STRV2-NR | PASTIGLIA FRENO ANTERIORE STR-V2 NERA (10 pezzi) STANDARD STR-V2 FRONT BRAKE PAD BLACK (10 pieces) STANDARD | MEDIA MEDIUM | € 194,50 |
| KIT-PAD-STRV2-BL | PASTIGLIA FRENO ANTERIORE STR-V2 BLU (10 pezzi) OPTIONAL STR-V2 FRONT BRAKE PAD BLU (10 pieces) OPTIONAL | DURA HARD | € 205,00 |

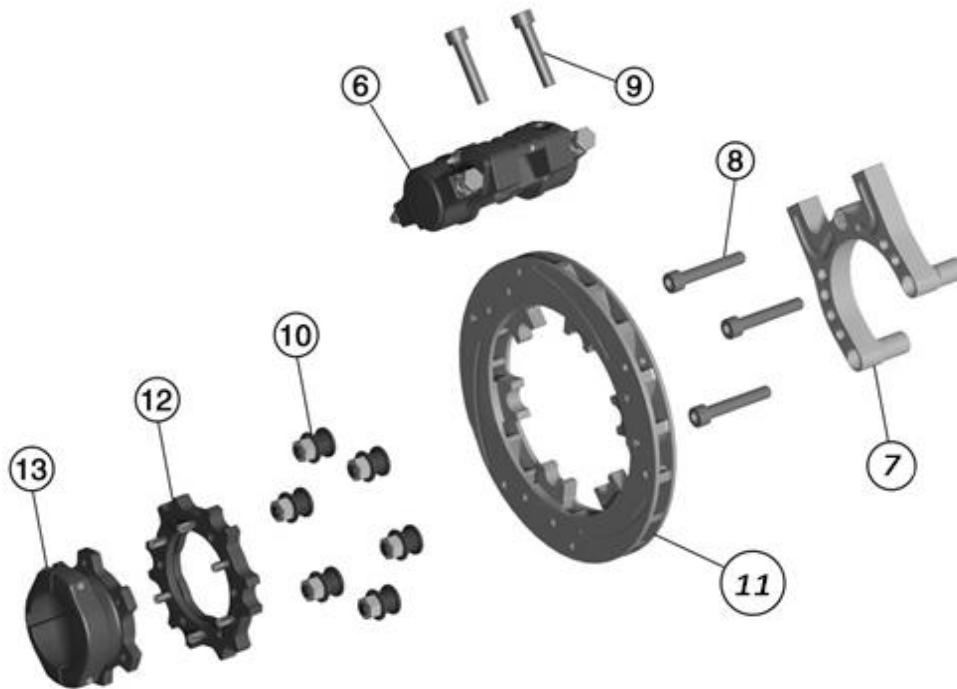
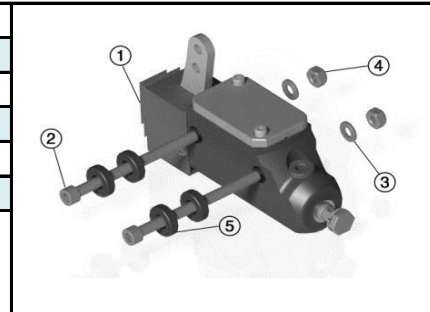
IMPIANTO FRENO POSTERIORE RBS-V2 | REAR BRAKE SYSTEM RBS-V2

| Codice code | Descrizione description | Prezzo (IVA escl.) price (excl. VAT) |
|-----------------------|--|---|
| BRK-RV2RR50SYS | SISTEMA FRENANTE POSTERIORE RBS-V2 (con porta disco 50mm) RBS-V2 REAR BRAKE SYSTEM (with 50mm brake disc support) | € 771,00 |

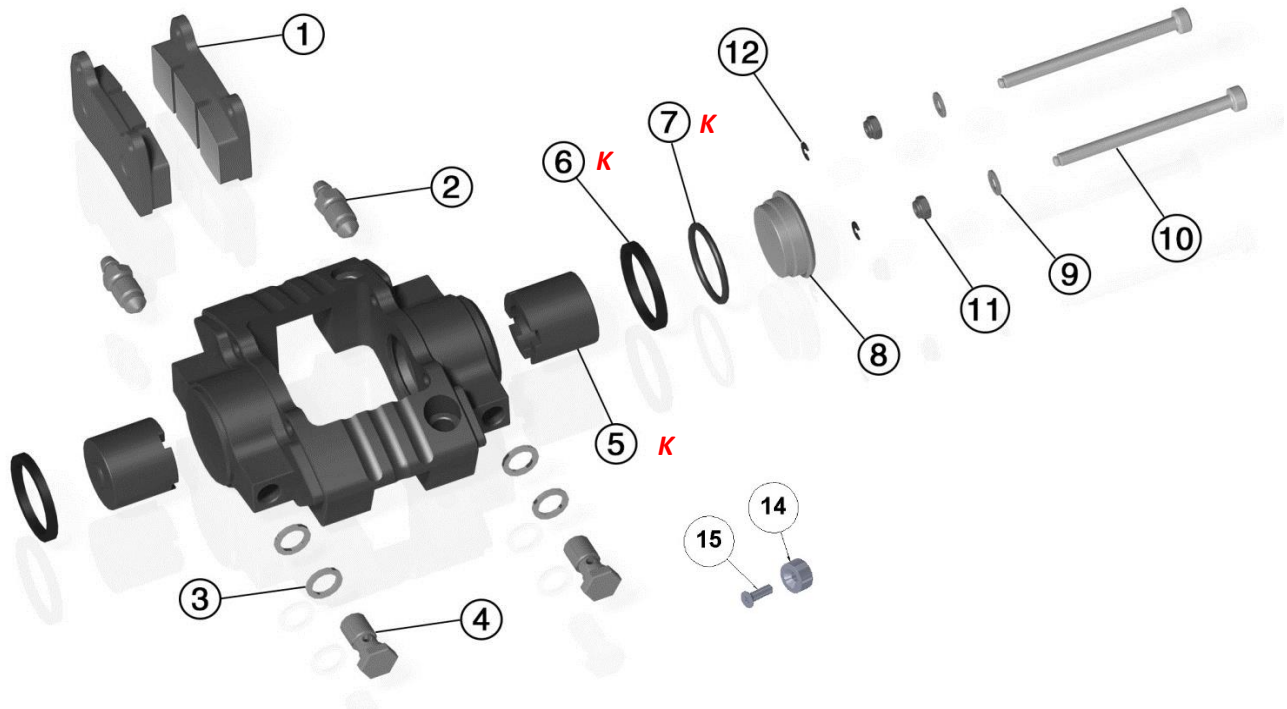
| | | |
|-----------|--|---------|
| BRK-PPRV3 | TUBO FRENO POSTERIORE RBS-V3/V2 RBS-V3/V2 REAR BRAKE PIPE | € 54,00 |
|-----------|--|---------|



| | | | |
|----|-----------------|--|----------|
| 1 | CS-PMP-19OL | POMPA FRENO Ø19MM BRAKE PUMP Ø19MM | € 125,00 |
| 2A | KIT-VT-SC0680CH | VITE TESTA CILINDRICA M6x80MM (50 pezzi) SCREW CYLINDRICAL HEAD M6x80MM (50 pieces) | € 23,00 |
| 2B | KIT-VT-SC0645CH | VITE TESTA CILINDRICA M6x45MM (50 pezzi) SCREW CYLINDRICAL HEAD M6x45MM (50 pieces) | € 23,00 |
| 3 | KIT-VT-WS0612 | RONDELLA Ø6x12MM (50 pezzi) WASHER Ø6x12MM (50 pieces) | € 15,00 |
| 4 | KIT-VT-NT06SL | DADO AUTOBLOCCANTE BASSO M6 (50 pezzi) NUT SELFLOCK LOW M6 (50 pieces) | € 19,00 |
| 5 | KIT-VT-SP0518 | DISTANZIALE Ø8.5xØ18xH5MM (10 pezzi) SPACER Ø8.5xØ18xH5MM (10 pieces) | € 35,50 |



| | | | |
|-----|-----------------|--|----------|
| 6 | CS-BRK-CALRRRV2 | PINZA FRENO POSTERIORE RBS-V2 con pastiglie e viteria RBS-V2 REAR BRAKE CALIPER with pads and screws | € 219,00 |
| 7 | BRK-CLSP187RV2 | SUPPORTO PINZA FRENO POSTERIORE RBS-V2 Ø187mm Ø187mm RBS-V2 REAR BRAKE CALIPER SUPPORT | € 84,00 |
| 8 | KIT-VT-SC0845CH | VITE TESTA CILINDRICA M8x45MM (50 pezzi) SCREW CYLINDRICAL HEAD M8x45MM (50 pieces) | € 23,00 |
| 9 | KIT-VT-SC0840CH | VITE TESTA CILINDRICA M8x40MM (50 pezzi) SCREW CYLINDRICAL HEAD M8x40MM (50 pieces) | € 23,00 |
| 10 | KIT-DSCRBSFIX | VITERIA FISSAGGIO DISCO POSTERIORE RBS-V2 (6 componenti per tipo) RBS-V2 REAR BRAKE DISC MOUNTING SCREWS (6 pieces for each components) | € 51,50 |
| 11 | DSC-RR187RV2 | DISCO FRENO POSTERIORE RBS-V2 Ø187mm Ø187 RBS-V2 REAR BRAKE DISC | € 167,00 |
| 12 | CS-DSC-SUPRRRV1 | SUPPORTO DISCO FRENO POSTERIORE RBS-V1 "SUPERLEGGERO" ANODIZZATO NERO "SUPERLEGGERO" RBS-V1 REAR BRAKE DISC SUPPORT BLACK ANODIZED | € 62,00 |
| 13A | CS-DSC-RHS50S | MOZZO SUPPORTO DISCO FRENO POSTERIORE RBS-V2 SLØ50mm COMPLETO RBS-V2 SLØ50mm REAR BRAKE DISC SUPPORT HUB COMPLETE | € 129,00 |
| 13B | CS-DSC-RHS40S | MOZZO SUPPORTO DISCO FRENO POSTERIORE RBS-V2 SLØ40mm COMPLETO RBS-V2 SLØ40mm REAR BRAKE DISC SUPPORT HUB COMPLETE | € 129,00 |



| | | | |
|----|--------------------|---|----------|
| 1 | KIT-PAD-RBSV2-NR | PASTIGLIA FRENO POSTERIORE RBS-V2 NERA (10 pezzi) RBS-V2 REAR BRAKE PAD BLACK (10 pieces) | € 205,00 |
| 2 | KIT-VT-OL10BR | VITE SPURGO FRENO M10 (10 pezzi) SCREW BREATHER M10 (10 pieces) | € 41,00 |
| 3 | KIT-VT-WS1014 | RONDELLA RAMATA Ø10x14MM (50 pezzi) COPPER WASHER Ø10x14MM (50 pieces) | € 30,50 |
| 4 | KIT-VT-OL10CN | VITE TUBO FRENO M10 (10 pezzi) SCREW OIL PIPE CONNECTION M10 (10 pieces) | € 41,00 |
| 5 | KIT-BRK-CALPS28V2 | PISTONE PINZA FRENO Ø28MM RBS-V2 CON MAGNETE (10 pezzi) RBS-V2 BRAKE CALIPER PISTON Ø28MM WITH MAGNET (10 pieces) | € 139,00 |
| 6 | KIT-VT-SQ2834 | GUARNIZIONE SEZIONE QUADRA Ø28x34MM (50 pezzi) SQUARE SECTION GASKET Ø28x34MM (50 pieces) | € 42,00 |
| 7 | KIT-VT-OR28 | O-RING Ø28MM (50 pezzi) O-RING Ø28MM (50 pieces) | € 19,00 |
| 8 | KIT-BRK-CALCAP28V2 | TAPPO PINZA FRENO Ø28MM RBS-V2 (10 pezzi) RBS-V2 BRAKE CALIPER CAP Ø28MM (10 pieces) | € 109,00 |
| 9 | KIT-VT-WS0510 | RONDELLA Ø5x10MM (50 pezzi) WASHER Ø5x10MM (50 pieces) | € 15,00 |
| 10 | KIT-BRK-RBSV1SFP | VITE SICUREZZA PASTIGLIA FRENO RBS-V1 (10 pezzi) RBS-V1 BRAKE PAD SAFETY PIN (10 pieces) | € 41,00 |
| 11 | KIT-VT-NT05SL | DADO AUTOBLOCCANTE BASSO M5 (50 pezzi) NUT SELFLOCK LOW M5 (50 pieces) | € 19,00 |
| 12 | KIT-VT-SG3 | SEEGER Ø3,2MM (50 pezzi) SEEGER Ø3,2MM (50 pieces) | € 12,00 |
| 14 | KIT-BRK-MGN105 | MAGNETE Ø10x5MM PER PISTONE PINZA FRENO (10 pezzi) MAGNET Ø10x5MM FOR BRAKE CALIPER PISTON (10 pieces) | € 20,00 |
| 15 | KIT-VT-SC0310SHCR | VITE TESTA SVASATA A CROCE M3x10MM (50 pezzi) SCREW COUNTERSUNK HEAD CROSS RECESS M3x10MM (50 pieces) | € 23,00 |
| K | KIT-BRK-RV23CALREV | Kit revisione pinza freno RBS.V2 / RBS.V3 (per 1 pinza) RBS.V2 / RBS.V3 BRAKE CALIPER REVISION KIT (for 1 caliper) | € 39,00 |

PASTIGLIE | PADS

| Codice code | Descrizione description | Mescola compound | Prezzo price |
|------------------|---|-----------------------------|-----------------|
| KIT-PAD-RBSV2-GR | PASTIGLIA FRENO POSTERIORE RBS-V2 VERDE (10 pezzi) OPTIONAL RBS-V2 REAR BRAKE PAD GREEN (10 pieces) OPTIONAL | SUPER MORBIDA SUPER SOFT | € 297,50 |
| KIT-PAD-RBSV2-NR | PASTIGLIA FRENO POSTERIORE RBS-V2 NERA (10 pezzi) RBS-V2 REAR BRAKE PAD BLACK (10 pieces) | MEDIA MEDIUM | € 205,00 |
| KIT-PAD-RBSV2-BL | PASTIGLIA FRENO POSTERIORE RBS-V2 BLU (10 pezzi) OPTIONAL RBS-V2 REAR BRAKE PAD BLU (10 pieces) OPTIONAL | DURA HARD | € 215,50 |

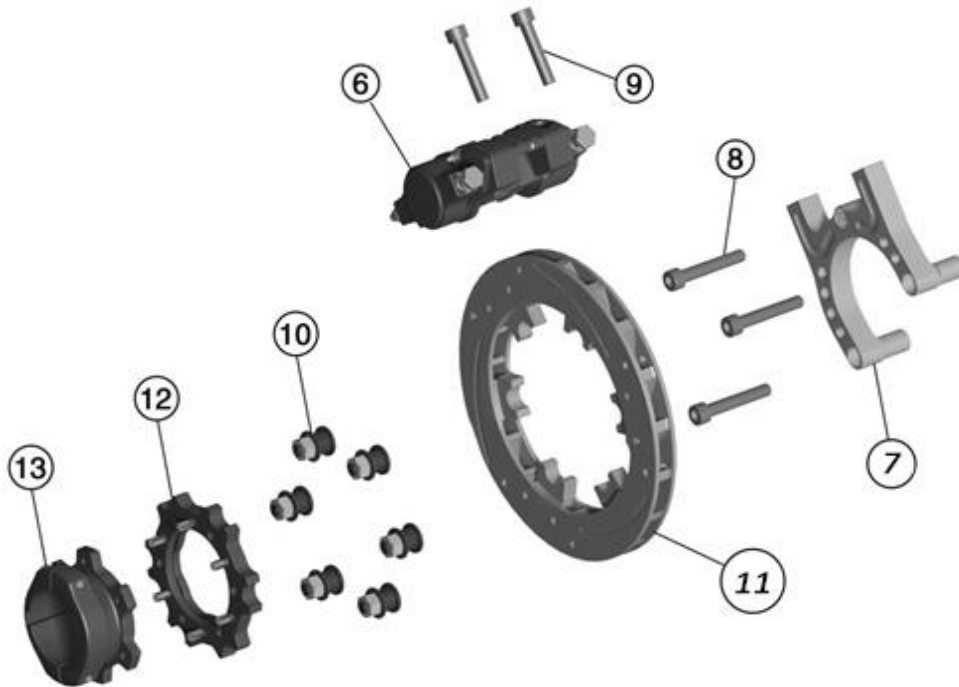
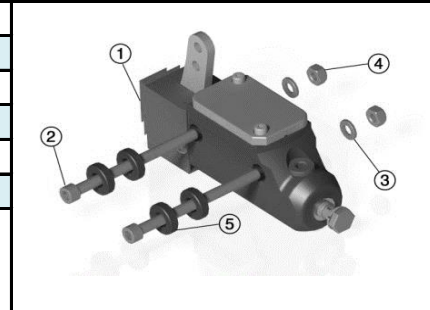
IMPIANTO FRENO POSTERIORE RBS-V3 | REAR BRAKE SYSTEM RBS-V3

| Codice code | Descrizione description | Prezzo (IVA escl.) price (excl. VAT) |
|-----------------------|--|---|
| BRK-RV3RR50SYS | SISTEMA FRENANTE POSTERIORE RBS-V3 (con porta disco 50mm) RBS-V3 REAR BRAKE SYSTEM (with 50mm brake disc support) | € 779,00 |

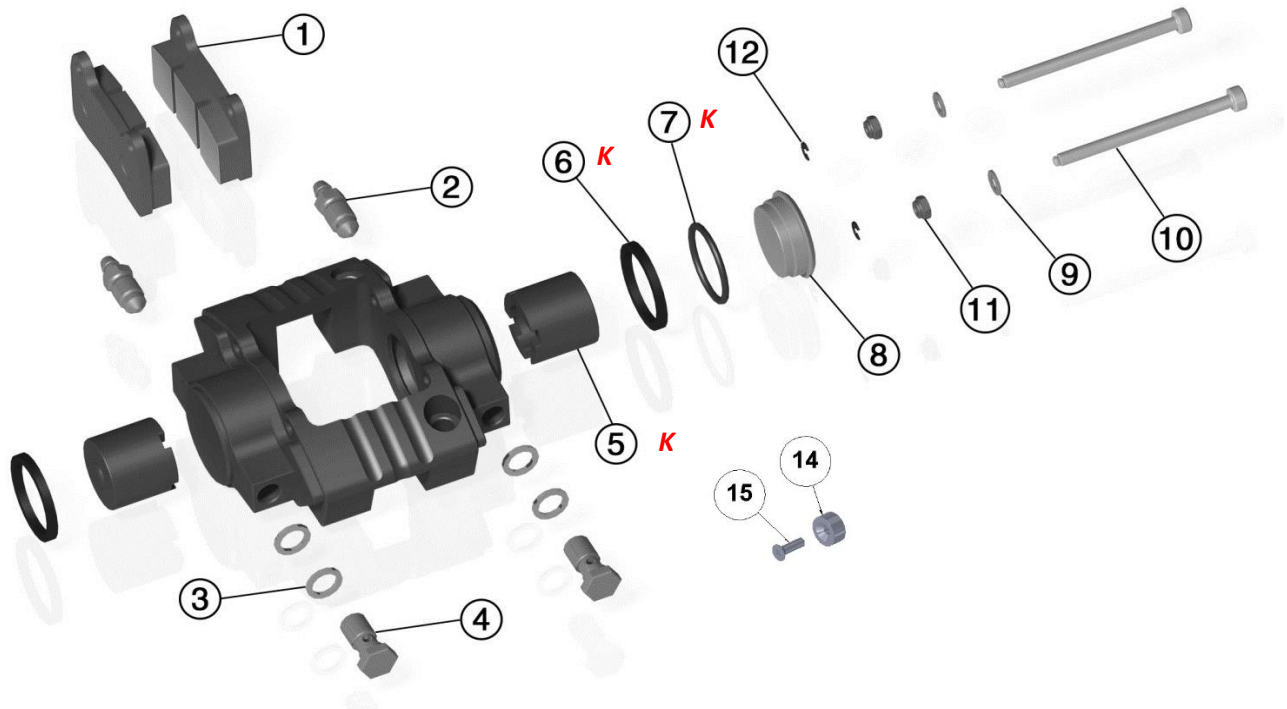
| | | |
|-----------|--|---------|
| BRK-PPRV3 | TUBO FRENO POSTERIORE RBS-V3/V2 RBS-V3/V2 REAR BRAKE PIPE | € 54,00 |
|-----------|--|---------|



| | | | |
|----|-----------------|--|----------|
| 1 | CS-PMP-19OL | POMPA FRENO Ø19MM BRAKE PUMP Ø19MM | € 125,00 |
| 2A | KIT-VT-SC0680CH | VITE TESTA CILINDRICA M6x80MM (50 pezzi) SCREW CYLINDRICAL HEAD M6x80MM (50 pieces) | € 23,00 |
| 2B | KIT-VT-SC0645CH | VITE TESTA CILINDRICA M6x45MM (50 pezzi) SCREW CYLINDRICAL HEAD M6x45MM (50 pieces) | € 23,00 |
| 3 | KIT-VT-WS0612 | RONDELLA Ø6x12MM (50 pezzi) WASHER Ø6x12MM (50 pieces) | € 15,00 |
| 4 | KIT-VT-NT06SL | DADO AUTOBLOCCANTE BASSO M6 (50 pezzi) NUT SELFLOCK LOW M6 (50 pieces) | € 19,00 |
| 5 | KIT-VT-SP0518 | DISTANZIALE Ø8.5xØ18xH5MM (10 pezzi) SPACER Ø8.5xØ18xH5MM (10 pieces) | € 35,50 |



| | | | |
|-----|-----------------|--|----------|
| 6 | CS-BRK-CALRRRV3 | PINZA FRENO POSTERIORE RBS-V3/V2 con pastiglie e viteria RBS-V3/V2 REAR BRAKE CALIPER with pads and screws | € 219,00 |
| 7 | BRK-CLSP187RV2 | SUPPORTO PINZA FRENO POSTERIORE RBS-V3/V2 Ø187mm Ø187mm RBS-V3/V2 REAR BRAKE CALIPER SUPPORT | € 84,00 |
| 8 | KIT-VT-SC0845CH | VITE TESTA CILINDRICA M8x45MM (50 pezzi) SCREW CYLINDRICAL HEAD M8x45MM (50 pieces) | € 23,00 |
| 9 | KIT-VT-SC0840CH | VITE TESTA CILINDRICA M8x40MM (50 pezzi) SCREW CYLINDRICAL HEAD M8x40MM (50 pieces) | € 23,00 |
| 10 | KIT-DSCRBSFIX | VITERIA FISSAGGIO DISCO POSTERIORE RBS-V2 (6 componenti per tipo) RBS-V2 REAR BRAKE DISC MOUNTING SCREWS (6 pieces for each components) | € 51,50 |
| 11 | DSC-RR195RV3 | DISCO FRENO POSTERIORE RBS-V3 Ø195mm Ø195 RBS-V3 REAR BRAKE DISC | € 177,50 |
| 12 | CS-DSC-SUPRRRV1 | SUPPORTO DISCO FRENO POSTERIORE RBS-V1 "SUPERLEGGERO" ANODIZZATO NERO "SUPERLEGGERO" RBS-V1 REAR BRAKE DISC SUPPORT BLACK ANODIZED | € 62,00 |
| 13A | CS-DSC-RHS50S | MOZZO SUPPORTO DISCO FRENO POSTERIORE RBS-V2 SLØ50mm COMPLETO RBS-V2 SLØ50mm REAR BRAKE DISC SUPPORT HUB COMPLETE | € 129,00 |
| 13B | CS-DSC-RHS40S | MOZZO SUPPORTO DISCO FRENO POSTERIORE RBS-V2 SLØ40mm COMPLETO RBS-V2 SLØ40mm REAR BRAKE DISC SUPPORT HUB COMPLETE | € 129,00 |



| | | | |
|----|--------------------|---|----------|
| 1 | KIT-PAD-RBSV3-NR | PASTIGLIA FRENO POSTERIORE RBS-V3 NERA (10 pezzi) RBS-V3 REAR BRAKE PAD BLACK (10 pieces) | € 205,00 |
| 2 | KIT-VT-OL10BR | VITE SPURGO FRENO M10 (10 pezzi) SCREW BREATHER M10 (10 pieces) | € 41,00 |
| 3 | KIT-VT-WS1014 | RONDELLA RAMATA Ø10x14MM (50 pezzi) COPPER WASHER Ø10x14MM (50 pieces) | € 30,50 |
| 4 | KIT-VT-OL10CN | VITE TUBO FRENO M10 (10 pezzi) SCREW OIL PIPE CONNECTION M10 (10 pieces) | € 41,00 |
| 5 | KIT-BRK-CALPS28V2 | PISTONE PINZA FRENO Ø28MM RBS-V2 CON MAGNETE (10 pezzi) RBS-V2 BRAKE CALIPER PISTON Ø28MM WITH MAGNET (10 pieces) | € 139,00 |
| 6 | KIT-VT-SQ2834 | GUARNIZIONE SEZIONE QUADRA Ø28x34MM (50 pezzi) SQUARE SECTION GASKET Ø28x34MM (50 pieces) | € 42,00 |
| 7 | KIT-VT-OR28 | O-RING Ø28MM (50 pezzi) O-RING Ø28MM (50 pieces) | € 19,00 |
| 8 | KIT-BRK-CALCAP28V2 | TAPPO PINZA FRENO Ø28MM RBS-V2 (10 pezzi) RBS-V2 BRAKE CALIPER CAP Ø28MM (10 pieces) | € 109,00 |
| 9 | KIT-VT-WS0510 | RONDELLA Ø5x10MM (50 pezzi) WASHER Ø5x10MM (50 pieces) | € 15,00 |
| 10 | KIT-BRK-RBSV1SFP | VITE SICUREZZA PASTIGLIA FRENO RBS-V1 (10 pezzi) RBS-V1 BRAKE PAD SAFETY PIN (10 pieces) | € 41,00 |
| 11 | KIT-VT-NT05SL | DADO AUTOBLOCCANTE BASSO M5 (50 pezzi) NUT SELFLOCK LOW M5 (50 pieces) | € 19,00 |
| 12 | KIT-VT-SG3 | SEEGER Ø3,2MM (50 pezzi) SEEGER Ø3,2MM (50 pieces) | € 12,00 |
| 14 | KIT-BRK-MGN105 | MAGNETE Ø10x5MM PER PISTONE PINZA FRENO (10 pezzi) MAGNET Ø10x5MM FOR BRAKE CALIPER PISTON (10 pieces) | € 20,00 |
| 15 | KIT-VT-SC0310SHCR | VITE TESTA SVASATA A CROCE M3x10MM (50 pezzi) SCREW COUNTERSUNK HEAD CROSS RECESS M3x10MM (50 pieces) | € 23,00 |
| K | KIT-BRK-RV23CALREV | Kit revisione pinza freno RBS.V2 / RBS.V3 (per 1 pinza) RBS.V2 / RBS.V3 BRAKE CALIPER REVISION KIT (for 1 caliper) | € 39,00 |

PASTIGLIE | PADS

| Codice code | Descrizione description | Mescola compound | Prezzo price |
|------------------|---|-----------------------------|-----------------|
| KIT-PAD-RBSV3-GR | PASTIGLIA FRENO POSTERIORE RBS-V3 VERDE (10 pezzi) OPTIONAL RBS-V3 REAR BRAKE PAD GREEN (10 pieces) OPTIONAL | SUPER MORBIDA SUPER SOFT | € 297,50 |
| KIT-PAD-RBSV3-NR | PASTIGLIA FRENO POSTERIORE RBS-V3 NERA (10 pezzi) RBS-V3 REAR BRAKE PAD BLACK (10 pieces) | MEDIA MEDIUM | € 205,00 |
| KIT-PAD-RBSV3-BL | PASTIGLIA FRENO POSTERIORE RBS-V3 BLU (10 pezzi) OPTIONAL RBS-V3 REAR BRAKE PAD BLU (10 pieces) OPTIONAL | DURA HARD | € 215,50 |

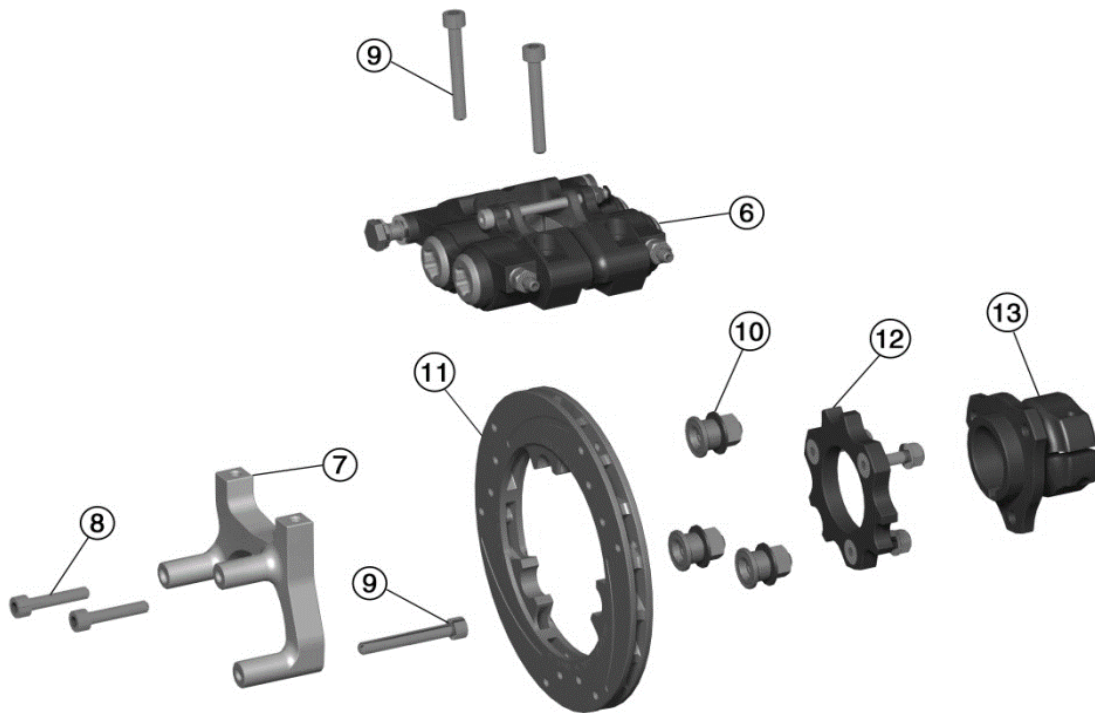
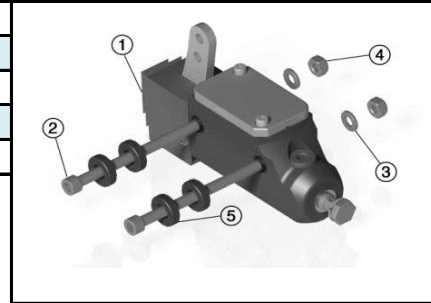
IMPIANTO FRENO POSTERIORE MKB-V2 | MKB-V2 REAR BRAKE SYSTEM

| Codice code | Descrizione description | Prezzo (IVA escl.) price (excl. VAT) |
|--------------------|--|--------------------------------------|
| BRK-MV2RR30 | SISTEMA FRENANTE POSTERIORE MKB-V2 (con porta disco 30mm) MKB-V2 REAR BRAKE SYSTEM (with 30mm brake disc support) | € 669,00 |

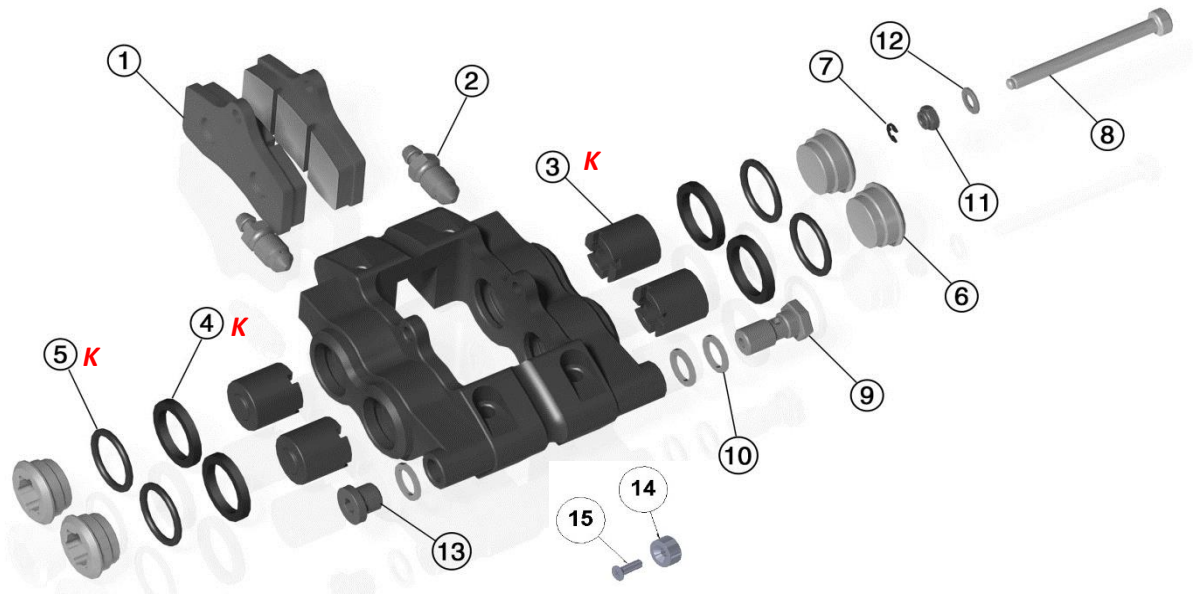
| | | |
|-----------|--|---------|
| BRK-PPMV3 | TUBO FRENO POSTERIORE MKB-V2/V3 MKB-V2/V3 REAR BRAKE PIPE | € 59,00 |
|-----------|--|---------|



| | | | |
|---|-----------------|--|----------|
| 1 | CS-PMP-19OL | POMPA FRENO Ø19MM BRAKE PUMP Ø19MM | € 125,00 |
| 2 | KIT-VT-SC0645CH | VITE TESTA CILINDRICA M6x45MM (50 pezzi) SCREW CYLINDRICAL HEAD M6x45MM (50 pieces) | € 23,00 |
| 3 | KIT-VT-WS0612 | RONDELLA Ø6x12MM (50 pezzi) WASHER Ø6x12MM (50 pieces) | € 15,00 |
| 4 | KIT-VT-NT06SL | DADO AUTOBLOCCANTE BASSO M6 (50 pezzi) NUT SELFLOCK LOW M6 (50 pieces) | € 19,00 |
| 5 | KIT-VT-SP0518 | DISTANZIALE Ø8.5xØ18xH5MM (10 pezzi) SPACER Ø8.5xØ18xH5MM (10 pieces) | € 35,50 |



| | | | |
|-----|-----------------|--|----------|
| 6 | CS-BRK-CALMKBV2 | PINZA FRENO POSTERIORE MKB-V2 con pastiglie e viteria MKB-V2 REAR BRAKE CALIPER with pads and screws | € 224,00 |
| 7 | BRK-CALSUPMKBV2 | SUPPORTO PINZA FRENO POSTERIORE MKB-V2 ANODIZZATO INOX MKB-V2 REAR BRAKE CALIPER SUPPORT ANODIZED INOX | € 54,00 |
| 8 | KIT-VT-SC0630CH | VITE TESTA CILINDRICA M6x30MM (50 pezzi) SCREW CYLINDRICAL HEAD M6x30MM (50 pieces) | € 23,00 |
| 9 | KIT-VT-SC0645CH | VITE TESTA CILINDRICA M6x45MM (50 pezzi) SCREW CYLINDRICAL HEAD M6x45MM (50 pieces) | € 23,00 |
| 10 | KIT-DSCSTRFIX3 | VITERIA FISSAGGIO DISCO ANTERIORE STR-V2 - POSTERIORE MKB-V2 (3 componenti per tipo) STR-V2 FRONT BRAKE DISC - MKB-V2 REAR MOUNTING SCREWS (3 pieces for each components) | € 29,00 |
| 11 | DSC-FRTSV2 | DISCO FRENO ANTERIORE STR-V2 - POSTERIORE MKB-V2 STR-V2 FRONT BRAKE DISC - MKB-V2 REAR BRAKE DISC | € 146,00 |
| 12 | CS-DSC-SUPRRR3 | SUPPORTO DISCO FRENO POSTERIORE MKB-V2 ANODIZZATO NERO MKB-V2 REAR BRAKE DISC SUPPORT BLACK ANODIZED | € 49,00 |
| 13A | CS-DSC-RHS30 | MOZZO SUPPORTO DISCO FRENO POSTERIORE MKB-V2 Ø30mm COMPLETO MKB-V2 Ø30mm REAR BRAKE DISC HUB SUPPORT COMPLETE | € 119,00 |
| 13B | CS-DSC-RHS25 | MOZZO SUPPORTO DISCO FRENO POSTERIORE MKB-V2 Ø25mm COMPLETO MKB-V2 Ø25mm REAR BRAKE DISC HUB SUPPORT COMPLETE | € 119,00 |



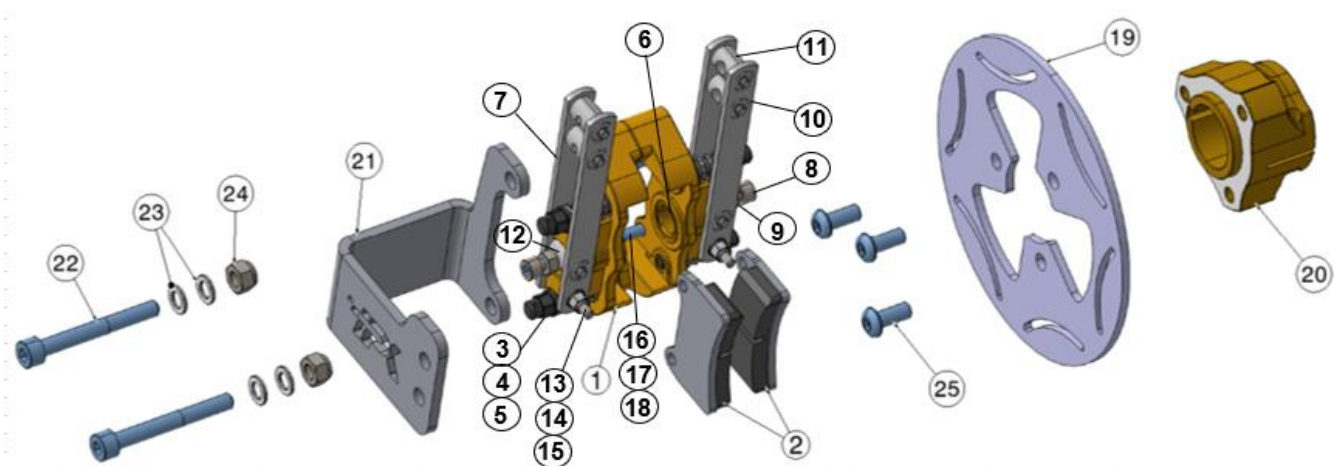
| | | | |
|----------|--------------------|---|--|
| 1 | KIT-PAD-STRV2-NR | PASTIGLIA FRENO ANTERIORE STR-V2 NERA (10 pezzi) STR-V2 FRONT BRAKE PAD BLACK (10 pieces) | € 194,50 |
| 2 | KIT-VT-OL10BR | VITE SPURGO FRENO M10 (10 pezzi) SCREW BREATHER M10 (10 pieces) | € 41,00 |
| 3 | KIT-BRK-CALPS19 | PISTONE PINZA FRENO Ø19MM CON MAGNETE (10 pezzi) BRAKE CALIPER PISTON Ø19MM WITH MAGNET (10 pieces) | € 129,00 New |
| 4 | KIT-VT-SQ1925 | GUARNIZIONE SEZIONE QUADRA Ø19x25MM (50 pezzi) SQUARE SECTION GASKET Ø19x25MM (50 pieces) | € 39,00 |
| 5 | KIT-VT-OR19 | O-RING Ø19MM (50 pezzi) O-RING Ø19MM (50 pieces) | € 14,00 |
| 6 | KIT-BRK-CALCAP19 | TAPPO PINZA FRENO Ø19MM (10 pezzi) BRAKE CALIPER CAP Ø19MM (10 pieces) | € 104,00 |
| 7 | KIT-VT-SG3 | SEEGER Ø3,2MM (50 pezzi) SEEGER Ø3,2MM (50 pieces) | € 12,00 |
| 8 | KIT-BRK-STRV1SFP | VITE SICUREZZA PASTIGLIA FRENO STR-V1 (10 pezzi) STR-V1 BRAKE PAD SAFETY PIN (10 pieces) | € 41,00 |
| 9 | KIT-VT-OL10CN | VITE TUBO FRENO M10 (10 pezzi) SCREW OIL PIPE CONNECTION M10 (10 pieces) | € 41,00 |
| 10 | KIT-VT-WS1014 | RONDELLA RAMATA Ø10x14MM (50 pezzi) COPPER WASHER Ø10x14MM (50 pieces) | € 30,50 |
| 11 | KIT-VT-NT05SL | DADO AUTOBLOCCANTE BASSO M5 (50 pezzi) NUT SELFLOCK LOW M5 (50 pieces) | € 19,00 |
| 12 | KIT-VT-WS0510 | RONDELLA Ø5x10MM (50 pezzi) WASHER Ø5x10MM (50 pieces) | € 15,00 |
| 13 | KIT-VT-OL10CP | TAPPO OLIO M10 (10 pezzi) THREADED OIL CAP M10 (10 pieces) | € 15,00 |
| 14 | KIT-BRK-MGN105 | MAGNETE Ø10x5MM PER PISTONE PINZA FRENO (10 pezzi) MAGNET Ø10x5MM FOR BRAKE CALIPER PISTON (10 pieces) | € 20,00 New |
| 15 | KIT-VT-SC0310SHCR | VITE TESTA SVASATA A CROCE M3x10MM (50 pezzi) SCREW COUNTERSUNK HEAD CROSS RECESS M3x10MM (50 pieces) | € 23,00 New |
| K | KIT-BRK-SMV2CALREV | Kit revisione pinza freno STR.V2 / MKB.V2 (per 1 pinza) STR.V2 / MKB.V2 BRAKE CALIPER REVISION KIT (for 1 caliper) | € 59,00 |

PASTIGLIE | PADS

| Codice code | Descrizione description | Mescola compound | Prezzo price |
|------------------|---|-----------------------------|-----------------|
| KIT-PAD-STRV2-GR | PASTIGLIA FRENO ANTERIORE STR-V2 VERDE (10 pezzi) OPTIONAL STR-V2 FRONT BRAKE PAD RED (10 pieces) OPTIONAL | SUPER MORBIDA SUPER SOFT | € 287,50 |
| KIT-PAD-STRV2-NR | PASTIGLIA FRENO ANTERIORE STR-V2 NERA (10 pezzi) STR-V2 FRONT BRAKE PAD BLACK (10 pieces) | MEDIA MEDIUM | € 194,50 |
| KIT-PAD-STRV2-BL | PASTIGLIA FRENO ANTERIORE STR-V2 BLU (10 pezzi) OPTIONAL STR-V2 FRONT BRAKE PAD BLU (10 pieces) OPTIONAL | DURA HARD | € 205,00 |

IMPIANTO FRENO MECCANICO BABY KART / BABY KART MECHANICAL BRAKE SYSTEM

| Codice code | Descrizione description | Prezzo (IVA escl.) price (excl. VAT) |
|---------------------|---|---|
| BRK-SYSMECBK | SISTEMA FRENANTE MECCANICO BABY KART BABY KART MECHANICAL BRAKE SYSTEM | € 385,00 |
| 1 | CS-BRK-CALMECBK PINZA FRENO MECCANICO BABY KART BABY KART MECHANICAL BRAKE CALIPER | € 212,00 |
| 2 | KIT-PAD-MECBK PASTIGLIA FRENO MECCANICO BABY KART (10 pezzi) BABY KART MECHANICAL BRAKE PADS (10 pieces) | € 220,00 |
| 3 | KIT-VT-SC0630CH VITE TESTA CILINDRICA M6x30MM (50 pezzi) SCREW CYLINDRICAL HEAD M6x30MM (50 pieces) | € 23,00 |
| 4 | KIT-VT-SPCALMEC DISTANZIALE PINZA FRENO MECCANICO (10 pezzi) MECHANICAL BRAKE CALIPER SPACER (10 pieces) | € 28,00 |
| 5 | KIT-VT-SPR1223 MOLLA PINZA FRENO MECCANICO (10 pezzi) MECHANICAL BRAKE CALIPER SPRING (10 pieces) | € 28,00 |
| 6 | KIT-BRK-CALPS PISTONE PINZA FRENO MECCANICO (10 pezzi) MECHANICAL BRAKE CALIPER PISTON (10 pieces) | € 86,00 |
| 7 | KIT-CALBRKMEC LEVA PINZA FRENO MECCANICO (4 pezzi) MECHANICAL BRAKE CALIPER LEVER (4 pieces) | € 35,00 |
| 8 | KIT-VT-SC0630CH VITE TESTA CILINDRICA M6x30MM (50 pezzi) SCREW CYLINDRICAL HEAD M6x30MM (50 pieces) | € 23,00 |
| 9 | KIT-VT-NT06HX DADO ESAGONALE M6 (50 pezzi) NUT HEXAGON M6 (50 pieces) | € 19,00 |
| 10 | KIT-VT-SF03RN ANELLO SICUREZZA PEDALE Ø3.5MM (50 pezzi) PEDAL SAFETY SNAP RING Ø3.5MM (50 pieces) | € 30,00 |
| 11 | KIT-BRK-CBLHSG BARILOTTO ANCORAGGIO CAVO FRENO (10 pezzi) MECHANICAL BRAKE CABLE HOUSING (10 pieces) | € 54,00 |
| 12 | KIT-BRK-PSPSH BARILOTTO SPINGI PISTONE (10 pezzi) MECHANICAL BRAKE PISTON PUSHER (10 pieces) | € 58,00 |
| 13 | KIT-VT-SC0535CH VITE TESTA CILINDRICA MSX35MM (50 pezzi) SCREW CYLINDRICAL HEAD MSx35mm (50 pieces) | € 23,00 |
| 14 | KIT-VT-WS0510 RONDELLA Ø5x10MM (50 pezzi) WASHER Ø5x10MM (50 pieces) | € 15,00 |
| 15 | KIT-VT-NT05SH DADO AUTOBLOCCANTE ALTO M5 (50 pezzi) NUT SELFLOCK HIGH M5 (50 pieces) | € 19,00 |
| 16 | KIT-BRK-STRV1SFP VITE SICUREZZA PASTIGLIA FRENO STR-V1 (10 pezzi) STR-V1 BRAKE PAD SAFETY PIN (10 pieces) | € 41,00 |
| 17 | KIT-VT-WS0612 RONDELLA Ø6x12MM (50 pezzi) WASHER Ø6x12MM (50 pieces) | € 15,00 |
| 18 | KIT-VT-NT05SL DADO AUTOBLOCCANTE BASSO M5 (50 pezzi) NUT SELFLOCK LOW M5 (50 pieces) | € 19,00 |
| 19 | DSC-MECBK DISCO FRENO MECCANICO BABY KART BABY KART MECHANICAL BRAKE DISC | € 30,00 |
| 20 | DSC-SUPBK SUPPORTO DISCO FRENO MECCANICO BABY KART BABY KART MECHANICAL BRAKE DISC SUPPORT | € 54,00 |
| 21 | BRK-CALMECSUPBK SUPPORTO PINZA FRENO MECCANICO BABY KART BABY KART MECHANICAL BRAKE CALIPER SUPPORT | € 26,00 |
| 22 | KIT-VT-SC0870CH VITE TESTA CILINDRICA M8x70MM (50 pezzi) SCREW CYLINDRICAL HEAD M8x70MM (50 pieces) | € 23,00 |
| 23 | KIT-VT-WS0814 RONDELLA Ø8x14MM (50 pezzi) WASHER Ø8x14MM (50 pieces) | € 15,00 |
| 24 | KIT-VT-NT08SH DADO AUTOBLOCCANTE ALTO M8 (50 pezzi) NUT SELFLOCK HIGH M8 (50 pieces) | € 19,00 |
| 25 | KIT-VT-SC0818RH VITE TESTA BOMBATA M8x18MM (50 pezzi) SCREW ROUND HEAD M8x18MM (50 pieces) | € 23,00 |
| 26 | VT-WRBRK CAVO FRENO FRIZIONE 1.9x2000MM tipo svedese BRAKE-CLUTCH WIRE 1.9x2000MM swedish type | € 5,50 |
| 27 | VT-SHBRK GUAINA NERA CAVO FRENO/FRIZIONE (50 metri) SHEAT BRAKE/CLUTCH WIRE BLACK (50 meters) | € 79,00 |



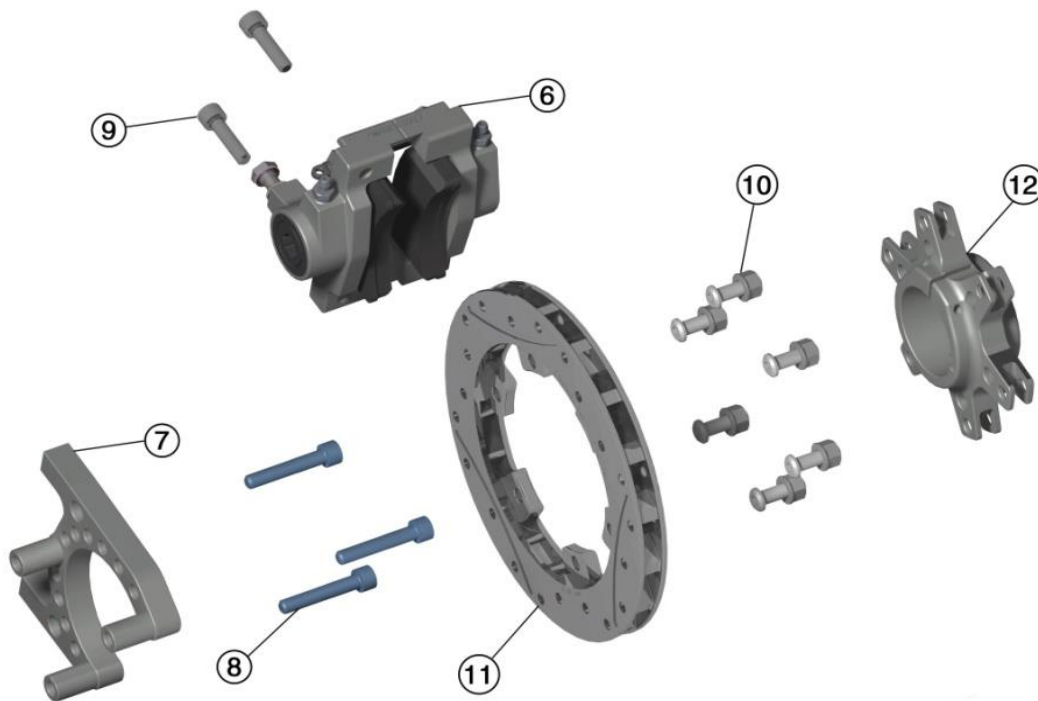
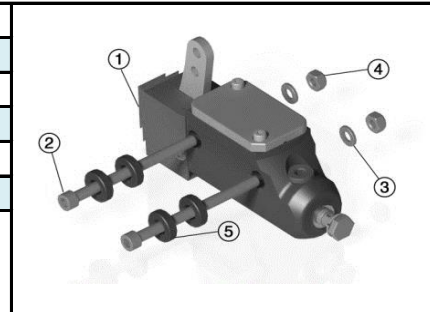
IMPIANTO FRENO POSTERIORE BLACK LINE | BLACK LINE REAR BRAKE SYSTEM

| Codice <i>code</i> | Descrizione <i>description</i> | Prezzo (IVA escl.) <i>price (excl. VAT)</i> |
|-----------------------|--|--|
| BRK-SYSBL50 | SISTEMA FRENANTE POSTERIORE BLACK LINE BLACK LINE REAR BRAKE SYSTEM | € 599,00 |

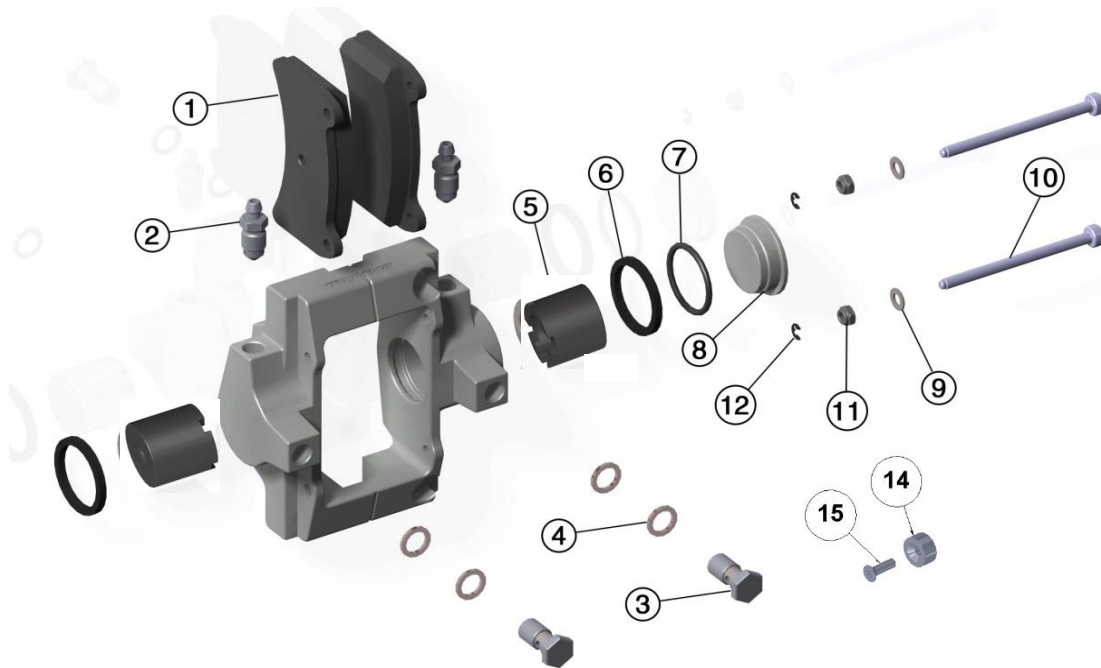
| | | |
|----------|--|---------|
| BRK-PPBL | TUBO FRENO POSTERIORE BLACK LINE REAR BRAKE PIPE BLACK LINE | € 50,50 |
|----------|--|---------|



| | | | |
|----|-----------------|--|----------|
| 1 | CS-PMP-19OL-BL | POMPA FRENO Ø19MM BLACK LINE BRAKE PUMP Ø19MM BLACK LINE | € 125,00 |
| 2A | KIT-VT-SC0680CH | VITE TESTA CILINDRICA M6x80MM (50 pezzi) SCREW CYLINDRICAL HEAD M6x80MM (50 pieces) | € 23,00 |
| 2B | KIT-VT-SC0645CH | VITE TESTA CILINDRICA M6x45MM (50 pezzi) SCREW CYLINDRICAL HEAD M6x45MM (50 pieces) | € 23,00 |
| 3 | KIT-VT-WS0612 | RONDELLA Ø6x12MM (50 pezzi) WASHER Ø6x12MM (50 pieces) | € 15,00 |
| 4 | KIT-VT-NT06SL | DADO AUTOBLOCCANTE BASSO M6 (50 pezzi) NUT SELFLOCK LOW M6 (50 pieces) | € 19,00 |
| 5 | KIT-VT-SP0518 | DISTANZIALE Ø8.5xØ18xH5MM (10 pezzi) SPACER Ø8.5xØ18xH5MM (10 pieces) | € 35,50 |



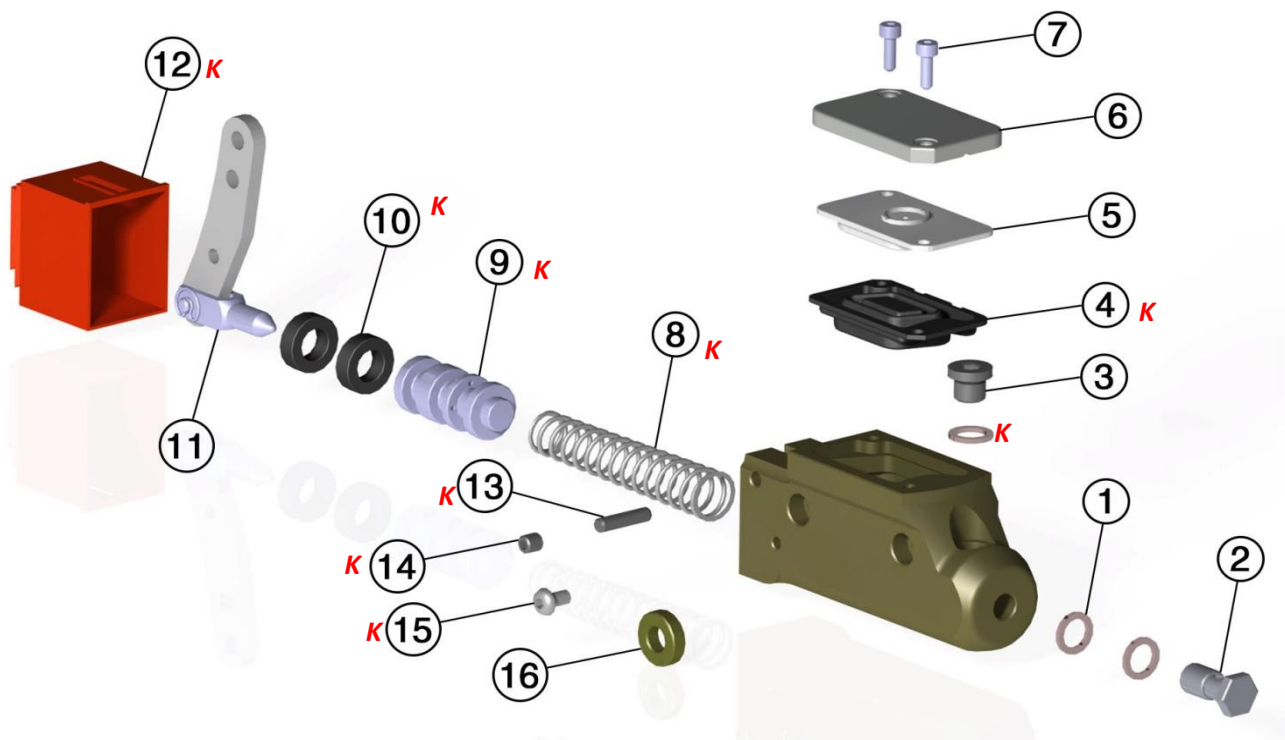
| | | | |
|----|-------------------|--|----------|
| 6 | CS-BRK-CALBL | PINZA FRENO POSTERIORE BLACK LINE con pastiglie e viteria REAR BRAKE CALIPER BLACK LINE with pads and screws | € 164,00 |
| 7 | BRK-CALSUP-BL | SUPPORTO PINZA FRENO POSTERIORE BLACK LINE REAR BRAKE CALIPER SUPPORT BLACK LINE | € 74,00 |
| 8 | KIT-VT-SC0845CH | VITE TESTA CILINDRICA M8x45MM (50 pezzi) SCREW CYLINDRICAL HEAD M8x45MM (50 pieces) | € 23,00 |
| 9 | KIT-VT-SC0830CH | VITE TESTA CILINDRICA M8x30MM (50 pezzi) SCREW CYLINDRICAL HEAD M8x30MM (50 pieces) | € 23,00 |
| 10 | KIT-DSCSUP30BL | VITERIA FISSAGGIO DISCO FRENO BLACK LINE M8x30mm (6 componenti per tipo) BLACK LINE BRAKE DISC MOUNTING SCREWS M8x30mm (6 pieces for each components) | € 20,00 |
| 11 | DSC-BL17 | DISCO FRENO POSTERIORE BLACK LINE BLACK LINE REAR BRAKE DISC | € 135,50 |
| 12 | CS-DSC-SUPRR50-BL | SUPPORTO DISCO FRENO POSTERIORE Ø50MM BLACK LINE REAR DISC SUPPORT Ø50MM BLACK LINE | € 72,50 |



| | | | |
|----|--------------------|---|----------|
| 1 | KIT-PAD-R1BL | PASTIGLIA FRENO POSTERIORE R1 BLU (10 pezzi) <i>R1 REAR BRAKE PAD BLU (10 pieces)</i> | € 159,00 |
| 2 | KIT-VT-OL10BR | VITE SPURGO FRENO M10 (10 pezzi) <i>SCREW BREATHER M10 (10 pieces)</i> | € 41,00 |
| 3 | KIT-VT-OL10CN | VITE TUBO FRENO M10 (10 pezzi) <i>SCREW OIL PIPE CONNECTION M10 (10 pieces)</i> | € 41,00 |
| 4 | KIT-VT-WS1014 | RONDELLA RAMATA Ø10x14MM (50 pezzi) <i>COPPER WASHER Ø10x14MM (50 pieces)</i> | € 30,50 |
| 5 | KIT-BRK-CALPS28V2 | PISTONE PINZA FRENO Ø28MM RBS-V2 CON MAGNETE (10 pezzi) <i>RBS-V2 BRAKE CALIPER PISTON Ø28MM WITH MAGNET (10 pieces)</i> | € 139,00 |
| 6 | KIT-VT-SQ2834 | GUARNIZIONE SEZIONE QUADRA Ø28X34MM (50 pezzi) <i>SQUARE SECTION GASKET Ø28X34MM (50 pieces)</i> | € 42,00 |
| 7 | KIT-VT-OR28 | O-RING Ø28MM (50 pezzi) <i>O-RING Ø28MM (50 pieces)</i> | € 19,00 |
| 8 | KIT-BRK-CALCAP28V2 | TAPPO PINZA FRENO Ø28MM RBS-V2 (10 pezzi) <i>RBS-V2 BRAKE CALIPER CAP Ø28MM (10 pieces)</i> | € 109,00 |
| 9 | KIT-VT-WS0510 | RONDELLA Ø5x10MM (50 pezzi) <i>WASHER Ø5x10MM (50 pieces)</i> | € 15,00 |
| 10 | KIT-BRK-R1SFP | VITE SICUREZZA PASTIGLIA FRENO R1 (10 pezzi) <i>R1 BRAKE PAD SAFETY PIN (10 pieces)</i> | € 41,00 |
| 11 | KIT-VT-NT05SL | DADO AUTOBLOCCANTE BASSO M5 (50 pezzi) <i>NUT SELFLOCK LOW M5 (50 pieces)</i> | € 19,00 |
| 12 | KIT-VT-SG3 | SEEGER Ø3,2MM (50 pezzi) <i>SEEGER Ø3,2MM (50 pieces)</i> | € 12,00 |
| 14 | KIT-BRK-MGN105 | MAGNETE Ø10x5MM PER PISTONE PINZA FRENO (10 pezzi) <i>MAGNET Ø10x5MM FOR BRAKE CALIPER PISTON (10 pieces)</i> | € 20,00 |
| 15 | KIT-VT-SC0310SHCR | VITE TESTA SVASATA A CROCE M3x10MM (50 pezzi) <i>SCREW COUNTERSUNK HEAD CROSS RECESS M3x10MM (50 pieces)</i> | € 23,00 |

POMPE FRENO | BRAKE PUMPS

| Codice code | | Descrizione description | Prezzo (IVA escl.) price (excl. VAT) |
|-------------|------------------|--|--------------------------------------|
| / | CS-PMP-19OL | POMPA FRENO Ø19MM BRAKE PUMP Ø19MM | € 125,00 |
| 1 | KIT-VT-WS1014 | RONDELLA RAMATA Ø10x14MM (50 pezzi) COPPER WASHER Ø10x14MM (50 pieces) | € 30,50 |
| 2 | KIT-VT-OL10CN | VITE TUBO FRENO M10 (10 pezzi) SCREW OIL PIPE CONNECTION M10 (10 pieces) | € 41,00 |
| 3 | KIT-VT-OL10CP | TAPPO OLIO M10 (10 pezzi) THREADED OIL CAP M10 (10 pieces) | € 15,00 |
| 4 | KIT-PMP-19GSK | MEMBRANA POMPA FRENO (10 pezzi) BRAKE PUMP INNER GASKET (10 pieces) | € 41,00 |
| 5 | PMP-19GSKSUP | SUPPORTO MEMBRANA POMPA FRENO BRAKE PUMP INNER GASKET SUPPORT | € 25,00 |
| 6 | PMP-19CAP | TAPPO POMPA FRENO BRAKE PUMP CAP | € 19,00 |
| 7 | KIT-VT-SC0412CH | VITE TESTA CILINDRICA M4x12MM (50 pezzi) SCREW CYLINDRICAL HEAD M4x12MM (50 pieces) | € 23,00 |
| 8 | KIT-PMP-19SPR | MOLLA POMPA FRENO Ø19MM (10 pezzi) BRAKE PUMP SPRING Ø19MM (10 pieces) | € 20,00 |
| 9 | KIT-CS-PMP-19PST | PISTONE POMPA FRENO Ø19MM (5 pezzi) BRAKE PUMP PISTON Ø19MM (5 pieces) | € 64,00 |
| 10 | KIT-PMP-19RBB | GOMMINO TENUTA OLIO Ø19MM (50 pezzi) OIL SEAL RUBBER Ø19MM (50 pieces) | € 39,00 |
| 11 | CS-PMP-19LVR | LEVA POMPA FRENO BRAKE PUMP LEVER | € 15,00 |
| 12 | KIT-PMP-19OUTC | CUFFIA PARA-POLVERE POMPA FRENO (10 pezzi) BRAKE PUMP OUTSIDE DUSTY CAP (10 pieces) | € 41,00 |
| 13 | KIT-VT-PN0520 | SPINA CILINDRICA Ø5x20MM (50 pezzi) PIN Ø5x20MM (50 pieces) | € 19,00 |
| 14 | KIT-VT-PN0606B | GRANO PUNTA PIANA M6x6MM (50 pezzi) FLAT PIN M6x6MM (50 pieces) | € 23,00 |
| 15 | KIT-VT-SC0508RH | VITE TESTA BOMBATA M5x8MM (50 pezzi) SCREW ROUND HEAD M5x8MM (50 pieces) | € 23,00 |
| 16 | KIT-VT-SP0518 | DISTANZIALE Ø8.5xØ18xH5MM (10 pezzi) SPACER Ø8.5xØ18xH5MM (10 pieces) | € 35,50 |
| K | KIT-BRK-PMP19REV | Kit revisione pompa freno Ø19mm Ø19mm BRAKE PUMP REVISION KIT | € 37,00 |

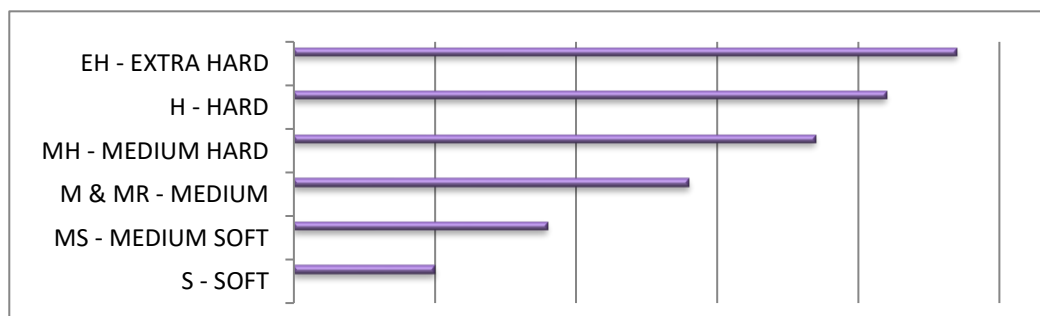


TIRANTI FRENO - CAVI SICUREZZA - ACCESSORI | BRAKE TIE RODS - SAFETY CABLES - ACCESSORIES

| Codice code | Descrizione description | Prezzo (IVA escl.) price (excl. VAT) | |
|------------------|--|---|---------|
| BRK-TRD270 | TIRANTE FRENO M6X270MM CROMATO (per pedaliera) BRAKE TIE ROD M6X270MM CHROMED (for footrest system) | € 10,00 | |
| BRK-TRD340 | TIRANTE FRENO M6x340MM CROMATO BRAKE TIE ROD M6x340MM CHROMED | | |
| BRK-TRD410 | TIRANTE FRENO M6X410MM CROMATO BRAKE TIE ROD M6X410MM CHROMED | | |
| BRK-TRD430 | TIRANTE FRENO M6X430MM CROMATO BRAKE TIE ROD M6X430MM CHROMED | | |
| BRK-TRD450 | TIRANTE FRENO M6X450MM CROMATO BRAKE TIE ROD M6X450MM CHROMED | | |
| BRK-SFTCBL350 | CAVO SICUREZZA FRENO L350MM BRAKE SAFETY CABLE L350MM | | |
| CS-BRK-SFTCBL | CAVO SICUREZZA FRENO con morsetto BRAKE SAFETY CABLE with clamp | € 12,00 | |
| CS-BRK-DST | RIPARTITORE FRENATA BRAKE DISTRIBUTOR | € 15,00 | |
| KIT-VT-SC0512CHR | KIT VITE CIL. GAMBO RETTIFICATO M5xØ6x12mm (10 pezzi) CYL. SCREW RECTIFY STEM M5xØ6x12m KIT (10pcs) | € 23,00 | |
| KIT-VT-NT05SL | DADO AUTOBLOCCANTE BASSO M5 (50 pezzi) NUT SELFLOCK LOW M5 (50 pieces) | | € 19,00 |
| KIT-VT-WS0510 | RONDELLA Ø5x10MM (50 pezzi) WASHER Ø5x10MM (50 pieces) | | € 15,00 |
| KIT-BRK-TRDFRK | FORCHETTA TIRANTE Ø6X24MM (10 pezzi) TIE ROD FORK Ø6x24MM (10 pieces) | € 25,00 | |
| KIT-VT-SF0624CL | CLIP SICUREZZA Ø6X24MM (20 pezzi) SAFETY CLIP Ø6x24MM (20 pieces) | € 20,00 | |
| KIT-BRK-EXTCBL | ESTENSIONE CAVO SICUREZZA (5 pezzi) EXTENSION SAFETY CABLE (5 pieces) | € 25,00 | |
| KIT-BRK-PPBLT | FASCETTA TUBO FRENO 8MM (10 pezzi) BRAKE PIPE FIXING BELT 8MM (10 pieces) | € 25,00 | |
| CS-BRK-DPK | KIT PROTEZIONE DISCO FRENO BRAKE DISK PROTECTOR KIT | € 44,00 | |
| BRK-AIRCNV | CONVOGLIATORE ARIA PINZA FRENO BRAKE CALIPER AIR CONVEYOR | € 20,00 | |
| CS-BRK-DRN | KIT SPURGO OLIO FRENI CON RACCORDO M10x1MM BRAKE OIL DRAINING KIT WITH M10x1mm PIPE | € 74,00 | |

ASSALI & CHIAVETTE | AXLES & KEYS

| Codice code | Durezza stiffness | Descrizione description | Prezzo price |
|-------------------|--|---|--------------|
| AXL-25960 | / | ASSALE Ø25x960MM AXLE Ø25x960MM | € 67,00 |
| | / | DIAMETRO DIAMETER Ø25 mm | |
| | / | LUNGHEZZA LENGHT 960 mm | |
| AXL-30D960S | MOD. MORBIDO MOD. SOFT | ASSALE Ø30x5x960MM AXLE Ø30x5x960MM | € 104,00 |
| AXL-30D960M | MOD. MEDIO MOD. MEDIUM | DIAMETRO DIAMETER Ø30 mm | |
| AXL-30D960H | MOD. DURO MOD. HARD | LUNGHEZZA LENGHT 960 mm | |
| AXL-30D960EH | MOD. EXTRA DURO MOD. EXTRA HARD | SPESSORE THICKNESS 5 mm | |
| AXL-40C1040SDD2 | MOD. MORBIDO MOD. SOFT | ASSALE DD2 Ø40x3x1040MM AXLE DD2 Ø40x3x1040MM | € 135,50 |
| AXL-40C1040MDD2 | MOD. MEDIO MOD. MEDIUM | DIAMETRO DIAMETER Ø40 mm | |
| AXL-40C1040HDD2 | MOD. DURO MOD. HARD | LUNGHEZZA LENGHT 1040 mm | |
| CS-AXL-OK501030S | MOD. MORBIDO MOD. SOFT | ASSALE OK Ø50x2x1030MM (con adesivo CIK-FIA) OK AXLE Ø50x2x1030MM (with CIK-FIA sticker) | € 151,00 |
| CS-AXL-OK501030MS | MOD. MEDIO - MORBIDO MOD. MEDIUM - SOFT | DIAMETRO DIAMETER Ø50 mm | |
| CS-AXL-OK501030MR | MOD. MEDIO RACING MOD. RACING MEDIUM | LUNGHEZZA LENGHT 1030 mm | |
| CS-AXL-OK501030MH | MOD. MEDIO - DURO MOD. MEDIUM - HARD | CATEGORIA CATEGORY OK | |
| CS-AXL-OK501030H | MOD. DURO MOD. HARD | | |
| CS-AXL-OK501030EH | MOD. EXTRA DURO MOD. EXTRA HARD | | |
| CS-AXL-KZ501030S | MOD. MORBIDO MOD. SOFT | ASSALE KZ Ø50x2x1030MM (con adesivo CIK-FIA) KZ AXLE Ø50x2x1030MM (with CIK-FIA sticker) | € 151,00 |
| CS-AXL-KZ501030MS | MOD. MEDIO - MORBIDO MOD. MEDIUM - SOFT | DIAMETRO DIAMETER Ø50 mm | |
| CS-AXL-KZ501030MR | MOD. MEDIO RACING MOD. RACING MEDIUM | LUNGHEZZA LENGHT 1030 mm | |
| CS-AXL-KZ501030MH | MOD. MEDIO - DURO MOD. MEDIUM - HARD | CATEGORIA CATEGORY KZ | |
| CS-AXL-KZ501030H | MOD. DURO MOD. HARD | | |
| CS-AXL-KZ501030EH | MOD. EXTRA DURO MOD. EXTRA HARD | | |
| KIT-AXL-KEY6660 | | CHIAVETTA 6x6x60MM (20 pezzi) AXLE KEY 6x6x60MM (20 pieces) | € 36,00 |
| KIT-AXL-KEY6680 | | CHIAVETTA 6x6x80MM (20 pezzi) AXLE KEY 6x6x80MM (20 pieces) | € 36,00 |
| KIT-AXL-KEY8550 | | CHIAVETTA 8x5x50MM (20 pezzi) AXLE KEY 8x5x50MM (20 pieces) | € 39,00 |
| KIT-AXL-KEY8560 | | CHIAVETTA 8x5x60MM (20 pezzi) AXLE KEY 8x5x60MM (20 pieces) | € 39,00 |
| KIT-AXL-KEY3P | | CHIAVETTA 3 PIOLI (20 pezzi) AXLE KEY 3 PIVOT (20 pieces) | € 104,00 |
| KIT-AXL-KEY2P | | CHIAVETTA 2 PIOLI (20 pezzi) AXLE KEY 2 PIVOT (20 pieces) | € 124,00 |










GUSCI & CUSCINETTI | BEARINGS SUPPORTS & BEARINGS

| Codice code | Descrizione description | | Prezzo (IVA escl.) price (excl. VAT) |
|-----------------|--|---|---|
| KIT-VT-PN0808 | GRANO M8x8MM (50 pezzi) punta coppa zigrinata <i>PIN M8x8MM (50 pieces) knurled cup tip</i> |  | € 29,00 |
| KIT-VT-PN06061 | GRANO M6x6MM (50 pezzi) punta coppa zigrinata <i>PIN M6x6MM (50 pieces) knurled cup tip</i> | | € 34,00 |
| KIT-VT-PN06101Z | GRANO M6x1MM L.10MM (50 pezzi) punta coppa zigrinata <i>PIN M6x1MM L.10MM (50 pieces) knurled cup tip</i> | | |
| CS-CU-2562 | CUSCINETTO Ø25X62MM con grani per assale da Ø25mm <i>BEARING Ø25X62MM with pins for Ø25mm axle</i> |  | € 22,00 |
| CS-CU-3062M8 | CUSCINETTO Ø30X62MM con 3 grani M8 per assale da Ø30mm <i>BEARING Ø30X62MM with 3 pins M8 for Ø30mm axle</i> New | | € 24,00 |
| CS-CU-4080 | CUSCINETTO Ø40X80MM con grani per assale da Ø40mm <i>BEARING Ø40X80MM with pins for Ø40mm axle</i> | | € 24,00 |
| CS-CU-5080 | CUSCINETTO Ø50X80MM con grani per assale da Ø50mm <i>BEARING Ø50X80MM with pins for Ø50mm axle</i> | | € 25,00 |
| CS-CU-3062CB3 | CUSCINETTO Ø30X62MM a sfere ceramiche con 3 grani per assale da Ø30mm <i>CERAMIC SPHERES BEARING Ø30X62MM with 3 pins for Ø30mm axle</i> | | € 64,00 |
| KIT-VT-SC0820FL | VITE TESTA ESAGONALE FLANGIATA M8x20MM (50 pezzi) <i>SCREW HEXAGON FLANGED HEAD M8x20MM (50 pieces)</i> |  | € 23,00 |
| KIT-VT-SC0825FL | VITE TESTA ESAGONALE FLANGIATA M8x25MM (50 pezzi) <i>SCREW HEXAGON FLANGED HEAD M8x25MM (50 pieces)</i> | | |
| CS-CU-SUP62 | SUPPORTO CUSCINETTO Ø62MM assale da Ø30 e Ø25mm <i>BEARING BUSH SUPPORT Ø62MM for Ø30 and Ø25mm axle</i> MATERIALE ALLUMINIO <i>MATERIAL ALUMINIUM</i> |  | € 51,50 |
| | | | |
| KIT-CU-ADJSPLMK | KIT PIASTRE PER SUPPORTO CUSCINETTO MINIKART (2 pz.) <i>MINIKART ADJUSTABLE ROLLER HOUSING SUPPORT PLATE KIT (2 pcs.)</i> |  New | € 38,00 |
| CS-CU-SUP80R | SUPPORTO CUSCINETTO Ø80MM MOD. R assale da Ø40-Ø50mm ANODIZZATO <i>R MOD. BEARING BUSH SUPPORT Ø80MM for Ø40-50mm axle ANODIZED</i> MATERIALE ALLUMINIO <i>MATERIAL ALUMINIUM</i> |  New | € 76,00 |








TUTTI I SUPPORTI CUSCINETTO SONO FORNITI CON VITE DI SERAGGIO
ALL THE BEARING SUPPORTS ARE PROVIDED WITH TIGHTENING SCREW

MOZZI & ACCESSORI | HUBS & ACCESSORIES


| Codice code | Descrizione description | | Prezzo (IVA escl.) price (excl. VAT) |
|--------------------|---|--|---|
| CS-HUB-FRT1750R | MOZZO ANTERIORE Ø17XL50MM MOD. R ANODIZZATO <i>R MODEL FRONT HUB Ø17XL50MM ANODIZED</i> |  | € 64,00 |
| CS-HUB-FRT1770R | MOZZO ANTERIORE Ø17XL70MM MOD. R ANODIZZATO <i>R MODEL FRONT HUB Ø17XL70MM ANODIZED</i> | | € 66,00 |
| CS-HUB-FRT1790R | MOZZO ANTERIORE Ø17XL90MM MOD. R ANODIZZATO <i>R MODEL FRONT HUB Ø17XL90MM ANODIZED</i> | | € 69,00 |
| | FUSELLO <i>SPINDLE</i> Ø17 mm MATERIALE <i>MATERIAL</i> ALLUMINIO <i>ALUMINIUM</i> MOZZO FORNITO CON CUSCINETTI E PRIGIONIERI <i>HUB PROVIDED WITH BEARINGS AND STUDS</i> | | |
| CS-HUB-FRT2570R | MOZZO ANTERIORE Ø25XL70MM MOD. R ANODIZZATO <i>R MODEL FRONT HUB Ø25XL70MM ANODIZED</i> |  | € 73,00 |
| CS-HUB-FRT2580R | MOZZO ANTERIORE Ø25XL80MM MOD. R ANODIZZATO <i>R MODEL FRONT HUB Ø25XL80MM ANODIZED</i> | | € 75,00 |
| CS-HUB-FRT2590R | MOZZO ANTERIORE Ø25XL90MM MOD. R ANODIZZATO <i>R MODEL FRONT HUB Ø25XL90MM ANODIZED</i> | | € 79,00 |
| | FUSELLO <i>SPINDLE</i> Ø25 mm MATERIALE <i>MATERIAL</i> ALLUMINIO <i>ALUMINIUM</i> MOZZO FORNITO CON CUSCINETTI, PRIGIONIERI E ANELLO DI CENTRAGGIO <i>HUB PROVIDED WITH BEARINGS, STUDS AND CENTERING RING</i> | | |
| CS-HUB-FRT4270R | MOZZO ANTERIORE Ø42XL70MM MOD. R ANODIZZATO <i>R MODEL FRONT HUB Ø42XL70MM ANODIZED</i> |  | € 81,00 |
| CS-HUB-FRT4290R | MOZZO ANTERIORE Ø42XL90MM MOD. R ANODIZZATO <i>R MODEL FRONT HUB Ø42XL90MM ANODIZED</i> | | € 85,00 |
| | PORTA DISCO <i>DISC SUPPORT</i> Ø42 mm MATERIALE <i>MATERIAL</i> ALLUMINIO <i>ALUMINIUM</i> MOZZO FORNITO CON PRIGIONIERI E VITE DI SERRAGGIO <i>HUB PROVIDED WITH STUDS AND TIGHTENING SCREW</i> | | |
| | | | |
| CS-HUB-FR259023-BL | MOZZO ANTERIORE Ø25XL90MM BLACK LINE <i>FRONT HUB Ø25XL90MM BLACK LINE</i> |  | € 69,00 |
| | FUSELLO <i>SPINDLE</i> Ø25 mm MATERIALE <i>MATERIAL</i> ALLUMINIO <i>ALUMINIUM</i> MOZZO FORNITO CON CUSCINETTI, PRIGIONIERI E ANELLO DI CENTRAGGIO <i>HUB PROVIDED WITH BEARINGS, STUDS AND CENTERING RING</i> | | |
| | | | |
| | | | |
| KIT-CU-2542 | CUSCINETTO Ø25XØ42XH9MM (10 pezzi) <i>BEARING Ø25XØ42XH9MM (10 pieces)</i> |   | € 62,00 |
| | MOZZI ALLUMINIO E MAGNESIO <i>ALUMINIUM AND MAGNESIUM HUBS</i> ANTERIORI Ø25 mm FRONT Ø25 mm | | |
| KIT-CU-1735 | CUSCINETTO Ø17XØ35XH10MM (10 pezzi) <i>BEARING Ø17XØ35XH10MM (10 pieces)</i> |  | € 35,50 |
| | MOZZI ALLUMINIO <i>ALUMINIUM HUBS</i> ANTERIORI Ø17 mm FRONT Ø17 mm | | |
| KIT-VT-SP2533 | DISTANZIALE CUSCINETTI Ø25xØ29xH33MM (5 pezzi) <i>BEARINGS SPACER Ø25xØ29xH33MM (5 pieces)</i> |  | € 20,00 |
| KIT-VT-SP2543 | DISTANZIALE CUSCINETTI Ø25xØ29xH43MM (5 pezzi) <i>BEARINGS SPACER Ø25xØ29xH43MM (5 pieces)</i> | | |
| | MOZZI ALLUMINIO <i>ALUMINIUM HUBS</i> ANTERIORI Ø25 mm FRONT Ø25 mm | | |
| KIT-VT-SPMGHB33 | DISTANZIALE CUSCINETTI Ø25xH33MM PER MOZZI ANTERIORI MAGNESIO (5 pezzi) <i>BEARINGS SPACER Ø25xH33MM FOR MAGNESIUM FRONT HUBS (5 pieces)</i> |  | € 30,50 |
| | MOZZI MAGNESIO <i>MAGNESIUM HUBS</i> ANTERIORI Ø25 mm FRONT Ø25 mm | | |
| KIT-VT-HUBALCR | ANELLO DI CENTRAGGIO CERCHIO IN ALLUMINIO (10 pezzi) <i>ALUMINIUM RIM CENTERING RING (10 pieces)</i> |  | € 56,50 |
| | MOZZI ALLUMINIO E MAGNESIO <i>ALUMINIUM AND MAGNESIUM HUBS</i> ANTERIORI Ø25 mm FRONT Ø25 mm | | |
| KIT-VT-SC0836ST | PRIGIONIERO M8x36MM (30 pezzi) <i>SCREW STUD M8x36MM (30 pieces)</i> | | € 30,50 |
| KIT-VT-SC0506RHFL | VITE TESTA BOMBATA FLANGIATA M5x8MM (50 pezzi) per mozzi Ø50 <i>SCREW FLANGED ROUND HEAD M5x8MM (50 pieces) for Ø50 hubs</i> | | € 23,00 |


| | | | |
|--------------------|--|---|---------|
| CS-HUB-RR2535R | MOZZO POSTERIORE Ø25XL35MM MOD. R ANODIZZATO <i>R MODEL REAR HUB Ø25XL35MM ANODIZED</i> |  | € 59,00 |
| | MATERIALE <i>MATERIAL</i> ALLUMINIO <i>ALUMINIUM</i> MOZZO FORNITO CON PRIGIONIERI E VITE DI SERRAGGIO <i>HUB PROVIDED WITH STUDS AND TIGHTENING SCREW</i> | | |
| CS-HUB-RR3025R | MOZZO POSTERIORE Ø30XL25MM ANODIZZATO <i>REAR HUB Ø30XL25MM ANODIZED</i> |  | € 65,00 |
| CS-HUB-RR3030R | MOZZO POSTERIORE Ø30XL30MM ANODIZZATO <i>REAR HUB Ø30XL30MM ANODIZED</i> | | € 67,00 |
| CS-HUB-RR3035R | MOZZO POSTERIORE Ø30XL35MM ANODIZZATO <i>REAR HUB Ø30XL35MM ANODIZED</i> | | € 69,00 |
| CS-HUB-RR3043R | MOZZO POSTERIORE Ø30XL43MM ANODIZZATO <i>REAR HUB Ø30XL43MM ANODIZED</i> | | € 71,00 |
| CS-HUB-RR3055R | MOZZO POSTERIORE Ø30XL55MM ANODIZZATO <i>REAR HUB Ø30XL55MM ANODIZED</i> | | € 74,00 |
| | MATERIALE <i>MATERIAL</i> ALLUMINIO <i>ALUMINIUM</i> MOZZO FORNITO CON PRIGIONIERI E VITE DI SERRAGGIO <i>HUB PROVIDED WITH STUDS AND TIGHTENING SCREW</i> | | |
| CS-HUB-RR4077R | MOZZO POSTERIORE Ø40XL77MM MOD. R ANODIZZATO <i>R MODEL REAR HUB Ø40XL77MM ANODIZED</i> |  | € 83,00 |
| CS-HUB-RR4090R | MOZZO POSTERIORE Ø40XL90MM MOD. R ANODIZZATO <i>R MODEL REAR HUB Ø40XL90MM ANODIZED</i> | | € 85,00 |
| | MATERIALE <i>MATERIAL</i> ALLUMINIO <i>ALUMINIUM</i> MOZZO FORNITO CON PRIGIONIERI E VITE DI SERRAGGIO <i>HUB PROVIDED WITH STUDS AND TIGHTENING SCREW</i> | | |
| CS-HUB-RR40120R | MOZZO POSTERIORE Ø40XL120MM MOD. R ANODIZZATO <i>R MODEL REAR HUB Ø40XL120MM ANODIZED</i> |  | € 95,00 |
| | MATERIALE <i>MATERIAL</i> ALLUMINIO <i>ALUMINIUM</i> MOZZO FORNITO CON PRIGIONIERI E VITE DI SERRAGGIO <i>HUB PROVIDED WITH STUDS AND TIGHTENING SCREW</i> | | |
| CS-HUB-RR5077R | MOZZO POSTERIORE Ø50XL77MM MOD. R ANODIZZATO <i>R MODEL REAR HUB Ø50XL77MM ANODIZED</i> |  | € 83,00 |
| CS-HUB-RR5090R | MOZZO POSTERIORE Ø50XL90MM MOD. R ANODIZZATO <i>R MODEL REAR HUB Ø50XL90MM ANODIZED</i> | | € 85,00 |
| CS-HUB-RR50105R | MOZZO POSTERIORE Ø50XL105MM MOD. R ANODIZZATO <i>R MODEL REAR HUB Ø50XL105MM ANODIZED</i> | | € 89,00 |
| | MATERIALE <i>MATERIAL</i> ALLUMINIO <i>ALUMINIUM</i> MOZZO FORNITO CON PRIGIONIERI E VITE DI SERRAGGIO <i>HUB PROVIDED WITH STUDS AND TIGHTENING SCREW</i> | | |
| CS-HUB-RR50120R | MOZZO POSTERIORE Ø50XL120MM MOD. R ANODIZZATO <i>R MODEL REAR HUB Ø50XL120MM ANODIZED</i> |  | € 95,00 |
| | MATERIALE <i>MATERIAL</i> ALLUMINIO <i>ALUMINIUM</i> MOZZO FORNITO CON PRIGIONIERI E VITE DI SERRAGGIO <i>HUB PROVIDED WITH STUDS AND TIGHTENING SCREW</i> | | |
| CS-HUB-RR509023-BL | MOZZO POSTERIORE Ø50XL90MM BLACK LINE <i>REAR HUB Ø50XL90MM BLACK LINE</i> |  | € 75,00 |
| | MATERIALE <i>MATERIAL</i> ALLUMINIO <i>ALUMINIUM</i> MOZZO FORNITO CON PRIGIONIERI E VITE DI SERRAGGIO <i>HUB PROVIDED WITH STUDS AND TIGHTENING SCREW</i> | | |

COMPONENTI IN MAGNESIO | MAGNESIUM COMPONENTS

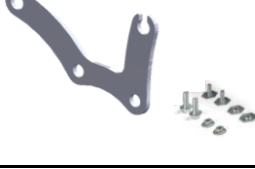
| Codice <i>code</i> | Descrizione <i>description</i> | | Prezzo (IVA escl.) <i>price (excl. VAT)</i> |
|-----------------------|--|---|--|
| CS-CU-SUP80RMG | SUPPORTO CUSCINETTO Ø80MM MOD.R MAGNESIO per assale Ø40-Ø50mm <i>R MOD. MAGNESIUM BEARING BUSH SUPPORT Ø80MM for Ø40-50mm axle</i> FORNITO CON VITERIA DI FISSAGGIO <i>PROVIDED WITH FIXING SCREW KIT</i> |  | € 127,00 |
| CS-DSC-HUBRR50RMG | MOZZO PORTA DISCO POSTERIORE RBS-V1 MAGNESIO MOD. R Ø50 MM <i>MAGNESIUM R MOD. RBS-V1 REAR BRAKE DISC HUB Ø50 MM</i> FORNITO CON VITERIA DI FISSAGGIO <i>PROVIDED WITH FIXING SCREW KIT</i> |  | € 114,00 |
| CS-CHN-SUP50RMG | SUPPORTO CORONA ASSALE DA Ø50MM MAGNESIO MOD. R <i>MAGNESIUM R MOD. SPROCKET SUPPORT FOR Ø50MM</i> SUPPORTO CORONA FORNITO CON VITE DI SERRAGGIO <i>SPROCKET SUPPORT PROVIDED WITH TIGHTENING SCREW</i> |  | € 109,00 |
| CS-HUB-FRT2570RMG | MOZZO ANTERIORE Ø25XL70MM MAGNESIO MOD. R <i>MAGNESIUM R MOD. FRONT HUB Ø25XL70MM</i> |  | € 110,00 |
| CS-HUB-FRT2590RMG | MOZZO ANTERIORE Ø25XL90MM MAGNESIO MOD. R <i>MAGNESIUM R MOD. FRONT HUB Ø25XL90MM</i> | | € 112,00 |
| CS-HUB-FRT25110RMG | MOZZO ANTERIORE Ø25XL110MM MAGNESIO MOD. R <i>MAGNESIUM R MOD. FRONT HUB Ø25XL110MM</i> | | € 114,00 |
| | FUSELLO <i>SPINDLE</i> Ø25 mm MATERIALE <i>MATERIAL</i> MAGNESIO <i>MAGNESIUM</i> MOZZO FORNITO CON CUSCINETTI, PRIGIONIERI E ANELLO DI CENTRAGGIO <i>HUB PROVIDED WITH BEARINGS, STUDS AND CENTERING RING</i> | | |
| CS-HUB-FRT4270RMG | MOZZO ANTERIORE Ø42XL70MM MAGNESIO MOD. R <i>MAGNESIUM R MOD. FRONT HUB Ø42XL70MM</i> |  | € 122,00 |
| CS-HUB-FRT4290RMG | MOZZO ANTERIORE Ø42XL90MM MAGNESIO MOD. R <i>MAGNESIUM R MOD. FRONT HUB Ø42XL90MM</i> | | € 124,00 |
| | FUSELLO <i>SPINDLE</i> Ø25 mm MATERIALE <i>MATERIAL</i> MAGNESIO <i>MAGNESIUM</i> MOZZO FORNITO CON VITE SERRAGGIO, PRIGIONIERI E ANELLO DI CENTRAGGIO <i>HUB PROVIDED WITH TIGHTENING SCREW, STUDS AND CENTERING RING</i> | | |
| | | | |
| CS-HUB-RR5077RMG | MOZZO POSTERIORE Ø50XL77MM MAGNESIO MOD. R <i>MAGNESIUM R MOD. REAR HUB Ø50XL77MM</i> |  | € 125,00 |
| CS-HUB-RR5090RMG | MOZZO POSTERIORE Ø50XL90MM MAGNESIO MOD. R <i>MAGNESIUM R MOD. REAR HUB Ø50XL90MM</i> | | € 129,00 |
| | MATERIALE <i>MATERIAL</i> MAGNESIO <i>MAGNESIUM</i> MOZZO FORNITO CON VITE SERRAGGIO E PRIGIONIERI <i>HUB PROVIDED WITH TIGHTENING SCREW AND STUDS</i> | | |
| | | | |
| CS-HUB-RR50115RMG | MOZZO POSTERIORE Ø50XL115MM MAGNESIO MOD. R DOPPIA VITE <i>MAGNESIUM R MOD. REAR HUB Ø50XL115MM DOUBLE SCREWS</i> FORNITO CON VITERIA DI FISSAGGIO E PRIGIONIERI <i>PROVIDED WITH FIXING SCREW KIT AND STUDS</i> |  | € 134,00 |

CORONE | SPROCKETS

| Codice code | Descrizione description | Prezzo netto (IVA escl.) net price (excl. VAT) |
|-----------------|---|---|
| CHN-SPRKF64-GLD | CORONA KF 64 DENTI STANDARD ANODIZZATA ORO KF STANDARD SPROCKET 64 TEETH GOLD ANODIZED |  € 15,50 |
| CHN-SPRKF65-GLD | CORONA KF 65 DENTI STANDARD ANODIZZATA ORO KF STANDARD SPROCKET 65 TEETH GOLD ANODIZED | |
| CHN-SPRKF66-GLD | CORONA KF 66 DENTI STANDARD ANODIZZATA ORO KF STANDARD SPROCKET 66 TEETH GOLD ANODIZED | |
| CHN-SPRKF67-GLD | CORONA KF 67 DENTI STANDARD ANODIZZATA ORO KF STANDARD SPROCKET 67 TEETH GOLD ANODIZED | |
| CHN-SPRKF68-GLD | CORONA KF 68 DENTI STANDARD ANODIZZATA ORO KF STANDARD SPROCKET 68 TEETH GOLD ANODIZED | |
| CHN-SPRKF69-GLD | CORONA KF 69 DENTI STANDARD ANODIZZATA ORO KF STANDARD SPROCKET 69 TEETH GOLD ANODIZED | |
| CHN-SPRKF70-GLD | CORONA KF 70 DENTI STANDARD ANODIZZATA ORO KF STANDARD SPROCKET 70 TEETH GOLD ANODIZED | € 16,50 |
| CHN-SPRKF71-GLD | CORONA KF 71 DENTI STANDARD ANODIZZATA ORO KF STANDARD SPROCKET 71 TEETH GOLD ANODIZED | |
| CHN-SPRKF72-GLD | CORONA KF 72 DENTI STANDARD ANODIZZATA ORO KF STANDARD SPROCKET 72 TEETH GOLD ANODIZED | |
| CHN-SPRKF73-GLD | CORONA KF 73 DENTI STANDARD ANODIZZATA ORO KF STANDARD SPROCKET 73 TEETH GOLD ANODIZED | |
| CHN-SPRKF74-GLD | CORONA KF 74 DENTI STANDARD ANODIZZATA ORO KF STANDARD SPROCKET 74 TEETH GOLD ANODIZED | |
| CHN-SPRKF75-GLD | CORONA KF 75 DENTI STANDARD ANODIZZATA ORO KF STANDARD SPROCKET 75 TEETH GOLD ANODIZED | |
| CHN-SPRKF76-GLD | CORONA KF 76 DENTI STANDARD ANODIZZATA ORO KF STANDARD SPROCKET 76 TEETH GOLD ANODIZED | € 17,50 |
| CHN-SPRKF77-GLD | CORONA KF 77 DENTI STANDARD ANODIZZATA ORO KF STANDARD SPROCKET 77 TEETH GOLD ANODIZED | |
| CHN-SPRKF78-GLD | CORONA KF 78 DENTI STANDARD ANODIZZATA ORO KF STANDARD SPROCKET 78 TEETH GOLD ANODIZED | |
| CHN-SPRKF79-GLD | CORONA KF 79 DENTI STANDARD ANODIZZATA ORO KF STANDARD SPROCKET 79 TEETH GOLD ANODIZED | |
| CHN-SPRKF80-GLD | CORONA KF 80 DENTI STANDARD ANODIZZATA ORO KF STANDARD SPROCKET 80 TEETH GOLD ANODIZED | |
| CHN-SPRKF81-GLD | CORONA KF 81 DENTI STANDARD ANODIZZATA ORO KF STANDARD SPROCKET 81 TEETH GOLD ANODIZED | |
| CHN-SPRKF82-GLD | CORONA KF 82 DENTI STANDARD ANODIZZATA ORO KF STANDARD SPROCKET 82 TEETH GOLD ANODIZED | € 18,50 |
| CHN-SPRKF83-GLD | CORONA KF 83 DENTI STANDARD ANODIZZATA ORO KF STANDARD SPROCKET 83 TEETH GOLD ANODIZED | |
| CHN-SPRKF84-GLD | CORONA KF 84 DENTI STANDARD ANODIZZATA ORO KF STANDARD SPROCKET 84 TEETH GOLD ANODIZED | |
| CHN-SPRKF85-GLD | CORONA KF 85 DENTI STANDARD ANODIZZATA ORO KF STANDARD SPROCKET 85 TEETH GOLD ANODIZED | |
| CHN-SPRKF86-GLD | CORONA KF 86 DENTI STANDARD ANODIZZATA ORO KF STANDARD SPROCKET 86 TEETH GOLD ANODIZED | |
| CHN-SPRKF87-GLD | CORONA KF 87 DENTI STANDARD ANODIZZATA ORO KF STANDARD SPROCKET 87 TEETH GOLD ANODIZED | |
| CHN-SPRKF88-GLD | CORONA KF 88 DENTI STANDARD ANODIZZATA ORO KF STANDARD SPROCKET 88 TEETH GOLD ANODIZED | € 20,50 |
| CHN-SPRKF89-GLD | CORONA KF 89 DENTI STANDARD ANODIZZATA ORO KF STANDARD SPROCKET 89 TEETH GOLD ANODIZED | |
| CHN-SPRKF90-GLD | CORONA KF 90 DENTI STANDARD ANODIZZATA ORO KF STANDARD SPROCKET 90 TEETH GOLD ANODIZED | |
| CHN-SPRKF91-GLD | CORONA KF 91 DENTI STANDARD ANODIZZATA ORO KF STANDARD SPROCKET 91 TEETH GOLD ANODIZED | |
| CHN-SPRKF92-GLD | CORONA KF 92 DENTI STANDARD ANODIZZATA ORO KF STANDARD SPROCKET 92 TEETH GOLD ANODIZED | |
| CHN-SPRKF93-GLD | CORONA KF 93 DENTI STANDARD ANODIZZATA ORO KF STANDARD SPROCKET 93 TEETH GOLD ANODIZED | |
| CHN-SPRKF94-GLD | CORONA KF 94 DENTI STANDARD ANODIZZATA ORO KF STANDARD SPROCKET 94 TEETH GOLD ANODIZED | € 20,50 |
| CHN-SPRKF95-GLD | CORONA KF 95 DENTI STANDARD ANODIZZATA ORO KF STANDARD SPROCKET 95 TEETH GOLD ANODIZED | |
| CHN-SPRKF96-GLD | CORONA KF 96 DENTI STANDARD ANODIZZATA ORO KF STANDARD SPROCKET 96 TEETH GOLD ANODIZED | |
| CHN-SPRKF97-GLD | CORONA KF 97 DENTI STANDARD ANODIZZATA ORO KF STANDARD SPROCKET 97 TEETH GOLD ANODIZED | |

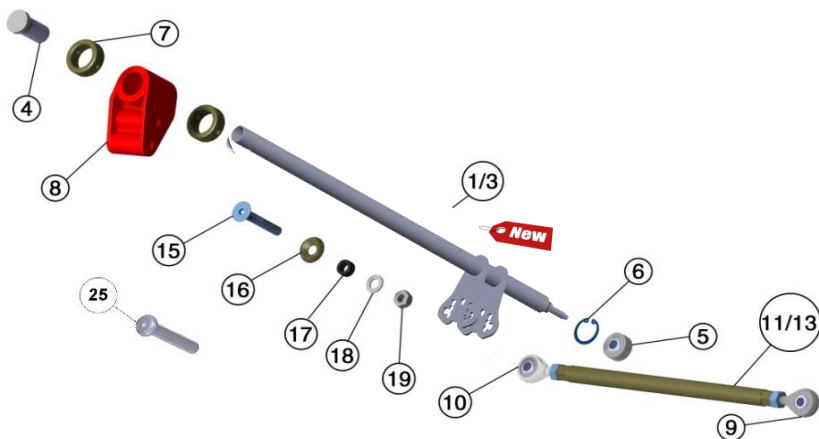
| | | |
|-------------|--|---|
| CHN-SPRKZ20 | CORONA KZ Ø50mm 20 DENTI ERGAL KZ SPROCKET Ø50mm 20 TEETH ERGAL |  € 32,50 |
| CHN-SPRKZ21 | CORONA KZ Ø50mm 21 DENTI ERGAL KZ SPROCKET Ø50mm 21 TEETH ERGAL | |
| CHN-SPRKZ22 | CORONA KZ Ø50mm 22 DENTI ERGAL KZ SPROCKET Ø50mm 22 TEETH ERGAL | |
| CHN-SPRKZ23 | CORONA KZ Ø50mm 23 DENTI ERGAL KZ SPROCKET Ø50mm 23 TEETH ERGAL | |
| CHN-SPRKZ24 | CORONA KZ Ø50mm 24 DENTI ERGAL KZ SPROCKET Ø50mm 24 TEETH ERGAL | € 34,50 |
| CHN-SPRKZ25 | CORONA KZ Ø50mm 25 DENTI ERGAL KZ SPROCKET Ø50mm 25 TEETH ERGAL | |
| CHN-SPRKZ26 | CORONA KZ Ø50mm 26 DENTI ERGAL KZ SPROCKET Ø50mm 26 TEETH ERGAL | € 37,50 |
| CHN-SPRKZ27 | CORONA KZ Ø50mm 27 DENTI ERGAL KZ SPROCKET Ø50mm 27 TEETH ERGAL | |
| CHN-SPRKZ28 | CORONA KZ Ø50mm 28 DENTI ERGAL KZ SPROCKET Ø50mm 28 TEETH ERGAL | € 41,50 |
| CHN-SPRKZ29 | CORONA KZ Ø50mm 29 DENTI ERGAL KZ SPROCKET Ø50mm 29 TEETH ERGAL | |
| CHN-SPRKZ30 | CORONA KZ Ø50mm 30 DENTI ERGAL KZ SPROCKET Ø50mm 30 TEETH ERGAL | |

CORONE, SUPPORTI & ACCESSORI | SPROCKETS, SUPPORTS & ACCESSORIES

| Codice <i>code</i> | Descrizione <i>description</i> | Prezzo (IVA escl.) <i>price (excl. VAT)</i> |
|-----------------------|---|--|
| CS-CHN-SUP25R | SUPPORTO CORONA MOD.R ASSALE DA Ø25MM ANODIZZATO <i>R MOD. SPROCKET SUPPORT FOR Ø25MM AXLE ANODIZED</i> |  € 79,00 |
| CS-CHN-SUP30R | SUPPORTO CORONA MOD.R ASSALE DA Ø30MM ANODIZZATO <i>R MOD. SPROCKET SUPPORT FOR Ø30MM AXLE ANODIZED</i> | |
| CS-CHN-SUP50R | SUPPORTO CORONA MOD.R ASSALE DA Ø50MM ANODIZZATO <i>R MOD. SPROCKET SUPPORT FOR Ø50MM AXLE ANODIZED</i> | |
| | MATERIALE <i>MATERIAL</i> ALLUMINIO <i>ALUMINIUM</i> SUPPORTO CORONA FORNITO CON VITE DI SERRAGGIO <i>SPROCKET SUPPORT PROVIDED WITH TIGHTENING SCREW</i> | |
| CS-CHN-SUP50-BL17 | SUPPORTO CORONA ASSALE DA Ø50MM con viteria BLACK LINE <i>SPROCKET SUPPORT FOR Ø50MM AXLE with screws BLACK LINE</i> |  € 69,00 |
| CS-CHN-SUP40-BL17 | SUPPORTO CORONA ASSALE DA Ø40MM con viteria BLACK LINE <i>SPROCKET SUPPORT FOR Ø40MM AXLE with screws BLACK LINE</i> | |
| | MATERIALE <i>MATERIAL</i> ALLUMINIO <i>ALUMINIUM</i> SUPPORTO CORONA FORNITO CON VITE DI SERRAGGIO <i>SPROCKET SUPPORT PROVIDED WITH TIGHTENING SCREW</i> | |
| CHN-GRDKZ13 | PARACATENA KZ con viteria fissaggio <i>KZ CHAIN GUARD with fixing kit</i> | € 41,00 |
| KIT-GRDKZ | KIT ATACCO PARACATENA KZ <i>KZ CHAIN GUARD FIXING KIT</i> | € 25,00 |
| | |  |
| CHN-GRDTAG | PARACATENA TAG/MINIKART <i>TAG/MINIKART CHAIN GUARD</i> New | € 16,00 |
| | |  |
| KIT-CHN-GRDFBSUPOK | KIT SUPPORTO PARACATENA TAG (OK) - completo di viteria <i>SUPPORT KIT TAG (OK) CHAIN GUARD - with screws</i> New | € 23,00 |
| | |  |
| KIT-CHN-GRDSUPMK | KIT SUPPORTO PARACATENA MINIKART - completo di viteria <i>SUPPORT KIT MINIKART CHAIN GUARD - with screws</i> New | € 24,00 |
| | |  |
| KIT-VT-HX22M618 | KIT VITE M6x18MM BASE ESAGONALE 22MM (10 Pz.) <i>SCREW M6x18MM HEX BASE 22MM KIT (10 Pcs.)</i> New | € 36,00 |
| | |  |
| KIT-VT-INM622 | KIT INSERTO FILETTATO M6 BASE ESAGONALE 22MM (10 Pz.) <i>M6 THREADED INSERT HEX BASE 22MM KIT (10 Pcs.)</i> New | € 29,00 |
| | |  |
| KIT-VT-NT06CW | KIT DADO M6 CON RONDELLA IMPERDIBILE (10 Pz.) <i>M6 NUT WITH CAPTIVE WASHER KIT (10 Pcs.)</i> New | € 14,00 |
| | |  |
| IPK-PCT | PROTEZIONE CATENA IN TEFLON <i>TEFLON CHAIN PROTECTION</i> | € 46,00 |
| | |  |

STEERING COLUMNS & ACCESSORIES

| Codice code | Descrizione description | Prezzo (IVA escl.) price (excl. VAT) |
|----------------|---|---|
| 1 | CS-STR-COL490R PIANTONE STERZO L490MM MOD. R CROMATO <i>R MOD. STEERING COLUMNS L490MM CHROMED</i> | € 55,50 |
| 2 | CS-STR-COL420R PIANTONE STERZO L420MM MOD. R CROMATO <i>R MOD. STEERING COLUMNS L420MM CHROMED</i> | € 55,50 |
| 3 | CS-STR-COL342 PIANTONE STERZO L342MM CROMATO <i>STEERING COLUMNS L342MM CHROMED</i> | € 50,50 |
| 4 | KIT-STR-RNFBSH BOCCOLA RINFORZO PIANTONE STERZO (10 pezzi) <i>STEERING COLUMN REINFORCEMENT BUSH (10 pieces)</i> | € 29,00 |
| 5 | KIT-VT-BJ08RD UNIBALL RADIALE Ø8 (5 pezzi) <i>RADIAL UNIBALL Ø8 (5 pieces)</i> | € 51,50 |
| 6 | KIT-VT-SG23 SEEGER Ø23.5MM (50 pezzi) <i>SEEGER Ø23.5MM (50 pieces)</i> | € 27,00 |
| 7 | KIT-CS-STR-COLBSH BOCCOLA FERMO PIANTONE STERZO ANODIZZATA (10 pezzi) <i>STEERING LOCKING COLUMN BUSH (10 pieces) ANODIZED</i> | € 42,00 |
| 8 | STR-COLSUP2H SUPPORTO PIANTONE STERZO 2 FORI <i>STEERING COLUMN SUPPORT 2 HOLES</i> | € 6,50 |
| 9 | KIT-VT-BJ08RGH UNIBALL DESTRO M8 (5 pezzi) <i>RIGHT UNIBALL M8 (5 pieces)</i> | € 51,50 |
| 10 | KIT-VT-BJ08LFT UNIBALL SINISTRO M8 (5 pezzi) <i>LEFT UNIBALL M8 (5 pieces)</i> | € 51,50 |
| 11A | STR-TRD270 TIRANTE STERZO L270MM ANODIZZATO (DRAGON) <i>TIE ROD L270MM ANODIZED (DRAGON)</i> | € 21,50 |
| 11B | STR-TRD260 TIRANTE STERZO L260MM ANODIZZATO (FIGHTER) <i>TIE ROD L260MM ANODIZED (FIGHTER)</i> | € 21,00 |
| 12 | STR-TRD210 TIRANTE STERZO L210MM ANODIZZATO (MONSTER) <i>TIE ROD L210MM ANODIZED (MONSTER)</i> | € 20,00 |
| 13 | STR-TRD220 TIRANTE STERZO L220MM ANODIZZATO (BABY) <i>TIE ROD L220MM ANODIZED (BABY)</i> | € 20,50 |
| 14 | STR-TRD270-BL2 TIRANTE STERZO L270MM BLACK LINE T2 <i>TIE ROD L270MM BLACK LINE T2</i> | € 21,50 |
| 15 | KIT-VT-SC0850SH VITE TESTA SVASATA M8x50MM (50 pezzi) <i>SCREW COUNTERSUNK HEAD M8x50MM (50 pieces)</i> | € 23,00 |
| 16 | KIT-VT-WS0822CH RONDELLA SVASATA Ø8x22MM ANODIZZATA (50 pezzi) <i>WASHER COUNTERSUNK Ø8x22MM ANODIZED (50 pieces)</i> | € 85,00 |
| 17 | KIT-VT-SP0713 Distanziale Ø8.5xØ13xH7.5MM (50 pezzi) <i>SPACER Ø8.5xØ13xH7.5MM (50 pieces)</i> | € 34,00 |
| 18 | KIT-VT-WS0816 RONDELLA Ø8x16MM (50 pezzi) <i>WASHER Ø8x16MM (50 pieces)</i> | € 15,00 |
| 19 | KIT-VT-NT08SH DADO AUTOBLOCCANTE ALTO M8 (50 pezzi) <i>NUT SELFLOCK HIGH M8 (50 pieces)</i> | € 19,00 |
| 20 | KIT-VT-SC0625SH VITE TESTA SVASATA M6x25MM (50 pezzi) <i>SCREW COUNTERSUNK HEAD M6x25MM (50 pieces)</i> | € 23,00 |
| 20A | KIT-VT-SC0630SH VITE TESTA SVASATA M6x30MM (50 pezzi) <i>SCREW COUNTERSUNK HEAD M6x30MM (50 pieces)</i> | € 23,00 |
| 21 | KIT-VT-WS0620CH RONDELLA SVASATA Ø6x20MM ANODIZZATA (50 pezzi) <i>WASHER COUNTERSUNK Ø6x20MM ANODIZED (50 pieces)</i> | € 75,00 |
| 21B | KIT-VT-WS1020N RONDELLA Ø10x20MM NERA (50 pezzi) - per telai Baby e Dark <i>WASHER Ø10x20MM BLACK (50 pieces) - for Baby and Dark chassis</i> | € 15,00 |
| 22 | KIT-VT-WS0612 RONDELLA Ø6x12MM (50 pezzi) <i>WASHER Ø6x12MM (50 pieces)</i> | € 15,00 |
| 23 | KIT-VT-NT06SL DADO AUTOBLOCCANTE BASSO M6 (50 pezzi) <i>NUT SELFLOCK LOW M6 (50 pieces)</i> | € 19,00 |
| 24 | KIT-VT-SC0635CH VITE TESTA CILINDRICA M6x35MM (50 pezzi) <i>SCREW CYLINDRICAL HEAD M6x35MM (50 pieces)</i> | € 23,00 |
| 25 | KIT-VT-SC0850RH VITE TESTA BOMBATA M8x50MM (50 pezzi) - per telai Baby e Dark <i>SCREW ROUND HEAD M8x50MM (50 pieces) - for Baby and Dark chassis</i> | € 23,00 |



VOLANTE & MOZZI | STEERING WHEEL & HUBS

| Codice <i>code</i> | Descrizione <i>description</i> | Prezzo (IVA escl.) <i>price (excl. VAT)</i> |
|-----------------------|---|--|
| STR-WHLFST | VOLANTE Ø320MM "FASTER" - razze in acciaio <i>"FASTER" Ø320MM STEERING WHEEL - steel spokes</i> | € 77,00 |
| STR-KZHUBSL | MOZZO VOLANTE KZ INCLINATO ANODIZZATO <i>STEERING WHEEL SLANTING HUB KZ ANODIZED</i> MATERIALE <i>MATERIAL</i> ALLUMINIO <i>ALUMINIUM</i> ANGOLO <i>ANGLE</i> 10° | € 58,00 |
| STR-KFHUBSL | MOZZO VOLANTE KF INCLINATO ANODIZZATO <i>STEERING WHEEL SLANTING HUB KF ANODIZED</i> MATERIALE <i>MATERIAL</i> ALLUMINIO <i>ALUMINIUM</i> ANGOLO <i>ANGLE</i> 10° | € 53,00 |
| CS-STR-KFADSWH | MOZZO VOLANTE KF REGOLABILE ANODIZZATO <i>ADJUSTABLE KF STEERING WHEEL HUB ANODIZED</i> MATERIALE <i>MATERIAL</i> ALLUMINIO <i>ALUMINIUM</i> ANGOLO <i>ANGLE</i> 5° - 15° - 25° | € 118,00 |
| STR-7SLPL | PIASTRINA INCLINATA 7° PER VOLANTE marchiata IPK <i>IPK TILLOTSON 7° SLANTING PLATE STEERING WHEEL</i> | € 14,00 |

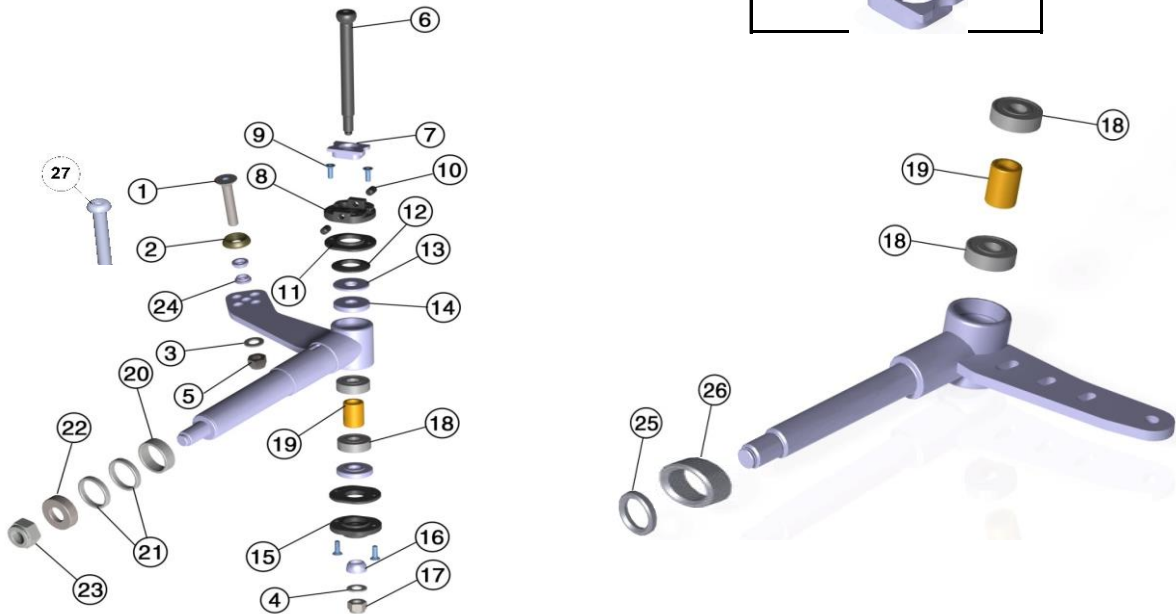
FUSELLI | SPINDLES

| Codice code | Descrizione description | Prezzo (IVA escl.) price (excl. VAT) |
|--------------------|--|---|
| CS-SPD-LFT2510R | FUSELLO SINISTRO MOD. R Ø25MM 10° CROMATO LEFT SPINDLE MOD. R Ø25MM 10° CHROMED | € 114,00 |
| CS-SPD-RGH2510R | FUSELLO DESTRO MOD. R Ø25MM 10° CROMATO RIGHT SPINDLE MOD. R Ø25MM 10° CHROMED | |
| CS-SPD-LFT2511R | FUSELLO SINISTRO MOD. R Ø25MM 11° CROMATO LEFT SPINDLE MOD. R Ø25MM 11° CHROMED | € 129,00 |
| CS-SPD-RGH2511R | FUSELLO DESTRO MOD. R Ø25MM 11° CROMATO RIGHT SPINDLE MOD. R Ø25MM 11° CHROMED | |
| CS-SPD-LFT2595R | FUSELLO SINISTRO MOD. R Ø25MM 9,5° CROMATO LEFT SPINDLE MOD. R Ø25MM 9,5° CHROMED | € 112,00 |
| CS-SPD-RGH2595R | FUSELLO DESTRO MOD. R Ø25MM 9,5° CROMATO RIGHT SPINDLE MOD. R Ø25MM 9,5° CHROMED | |
| CS-SPD-LFT17C10R | FUSELLO SINISTRO Ø17MM mod. R, CUSCINETTI Ø10MM LEFT SPINDLE Ø17MM mod. R, BEARINGS Ø10MM | € 89,00 |
| CS-SPD-RGH17C10R | FUSELLO DESTRO Ø17MM mod. R, CUSCINETTI Ø10MM RIGHT SPINDLE Ø17MM mod. R BEARINGS Ø10MM | |
| CS-SPD-LFT1711C10R | FUSELLO SINISTRO Ø17MM 11° mod. R, CUSCINETTI Ø10MM LEFT SPINDLE Ø17MM 11° mod. R, BEARINGS Ø10MM | € 99,00 |
| CS-SPD-RGH1711C10R | FUSELLO DESTRO Ø17MM 11° mod. R, CUSCINETTI Ø10MM RIGHT SPINDLE Ø17MM 11° mod. R BEARINGS Ø10MM | |
| CS-SPD-LFT1795C10R | FUSELLO SINISTRO Ø17MM 9,5° mod. R, CUSCINETTI Ø10MM LEFT SPINDLE Ø17MM 9,5° mod. R, BEARINGS Ø10MM | € 112,00 |
| CS-SPD-RGH1795C10R | FUSELLO DESTRO Ø17MM 9,5° mod. R, CUSCINETTI Ø10MM RIGHT SPINDLE Ø17MM 9,5° mod. R BEARINGS Ø10MM | |
| CS-SPD-LFT2510BL | FUSELLO SINISTRO MOD. BLACK LINE Ø25MM 10° CROMATO LEFT SPINDLE MOD. BLACK LINE Ø25MM 10° CHROMED | € 112,00 |
| CS-SPD-RGH2510BL | FUSELLO DESTRO MOD. BLACK LINE Ø25MM 10° CROMATO RIGHT SPINDLE MOD. BLACK LINE Ø25MM 10° CHROMED | |
| KIT-SPD-BLDEX | KIT ESTENSIONE LAMA FUSELLO (2 Pz.) per fusello Ø25mm SPINDLE BLADE EXTENSION KIT (2 Pcs) for Ø25mm spindle | € 19,50 |
| VT-CCSSCD | DISPOSITIVO DI CENTRAGGIO VITE CCS CCS SHAFT SCREW CENTERING DEVICE | € 16,50 |

ACCESSORI FUSELLI "CCS" | "CCS" SPINDLES ACCESSORIES

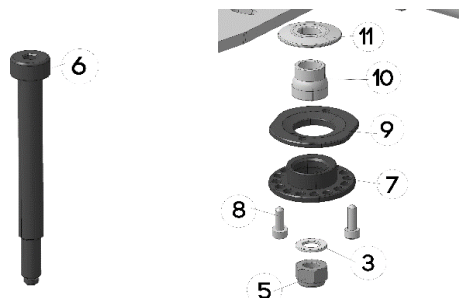
| Codice code | Descrizione description | Prezzo (IVA escl.) price (excl. VAT) |
|----------------|---|---|
| 1 | KIT-VT-SC0845SH VITE TESTA SVASATA M8x45MM (50 pezzi) SCREW COUNTERSUNK HEAD M8x45MM (50 pieces) | € 23,00 |
| 2 | KIT-VT-WS0822CH RONDELLA SVASATA Ø8x22MM ANODIZZATA (50 pezzi) WASHER COUNTERSUNK Ø8x22MM ANODIZED (50 pieces) | € 85,00 |
| 3 | KIT-VT-WS0814 RONDELLA Ø8x14MM (50 pezzi) WASHER Ø8x14MM (50 pieces) | € 15,00 |
| 4 | KIT-VT-WS0816 RONDELLA Ø8x16MM (50 pezzi) WASHER Ø8x16MM (50 pieces) | € 15,00 |
| 5 | KIT-VT-NT08SH DADO AUTOBLOCCANTE ALTO M8 (50 pezzi) NUT SELFLOCK HIGH M8 (50 pieces) | € 19,00 |
| 6 | KIT-VT-CCSSCSP10B VITE FUSELLO Ø10 NERA (10 pezzi) CCS SCREW SPINDLE Ø10 BLACK (10 pieces) | € 104,00 |
| 7 | KIT-SPD-CCSBS010 BOCCOLA 0 GRADI 10MM ZINCATO BIANCA (10 pezzi) CCS BUSH 0 DEGREE 10MM WHITE GALVANIZED (10 pieces) | € 69,00 |
| 8 | KIT-SPD-CCSPLT PIASTRA CCS ZINCATO NERA (10 pezzi) CCS PLATE BLACK GALVANIZED (10 pieces) | € 125,00 |
| 9 | KIT-VT-SC0412SH VITE TESTA SVASATA M4x12MM (50 pezzi) SCREW COUNTERSUNK HEAD M4x12MM (50 pieces) | € 23,00 |
| 10 | KIT-VT-PN0610 GRANO PUNTA PIANA ISO 4026 M6x10MM (50 pezzi) FLAT PIN ISO 4026 PIN M6x10MM (50 pieces) | € 23,00 |
| 11 | KIT-SPD-CCSFXW RONDELLA FISSA CCS ZINCATO NERA (20 pezzi) CCS FIXED WASHER BLACK GALVANIZED (20 pieces) | € 69,00 |
| 12 | KIT-SPD-CCSSPSJ SPESSORE SFERICO CCS ZINCATO NERO (20 pezzi) CCS SPACER SPHERICAL JOINT BLACK GALVANIZED (20 pieces) | € 40,00 |
| 13 | KIT-SPD-CCSSPSP3 SPESSORE CCS H 3 MM ZINCATO BIANCO (20 pezzi) CCS SPINDLE SPACER H 3 MM WHITE GALVANIZED (20 pieces) | € 44,00 |
| 14 | KIT-SPD-CCSSPSP6 SPESSORE FUSELLO CCS H 6 MM ZINCATO BIANCO (20 pezzi) CCS SPINDLE SPACER H 6 MM WHITE GALVANIZED (20 pieces) | € 48,00 |
| 15 | KIT-SPD-CCSLWPLT PIASTRA INFERIORE CCS ZINCATO NERA (10 pezzi) CCS LOWER PLATE BLACK GALVANIZED (10 pieces) | € 65,00 |
| 16 | KIT-SPD-CCSNTSJ SPESSORE SFERICO DADO CCS ZINCATO BIANCO (10 pezzi) CCS NUT SPHERICAL JOINT WHITE GALVANIZED (10 pieces) | € 40,00 |
| 17 | KIT-VT-NT08SH DADO AUTOBLOCCANTE ALTO M8 (50 pezzi) NUT SELFLOCK HIGH M8 (50 pieces) | € 19,00 |
| 18 | KIT-CU-1026 CUSCINETTO Ø10xØ26xH8MM (10 pezzi) BEARING Ø10xØ26xH8MM (10 pieces) | € 35,50 |
| 19 | KIT-VT-SP1022 Distanziale CUSCINETTI Ø10.5xØ16xH22MM (10 pezzi) BEARINGS SPACER Ø10.5xØ16xH22MM (10 pieces) | € 30,00 |
| 20 | KIT-VT-SP1025 Distanziale FUSELLO Ø25 H10MM ALLUMINIO ANOD. INOX (10 pezzi) Ø25 SPINDLE SPACER H10MM ALUMINIUM ANOD. INOX (10 pieces) | € 46,00 |
| 21 | KIT-VT-SP0525 Distanziale FUSELLO Ø25 H5MM ALLUMINIO ANOD. INOX (10 pezzi) Ø25 SPINDLE SPACER H5MM ALUMINIUM ANOD. INOX (10 pieces) | € 41,00 |
| 22 | KIT-VT-WS1430BLK RONDELLA BLOCCAGGIO MOZZO Ø14xØ30xH9MM (10 pezzi) HUB LOCKING WASHER Ø14xØ30xH9MM (10 pieces) | € 41,00 |

| | | | |
|------------------|-----------------|--|---------|
| 23 | KIT-VT-NT14SL | DADO AUTOBLOCCANTE BASSO M14 (50 pezzi) <i>NUT SELFLOCK LOW M14 (50 pieces)</i> | € 20,00 |
| 24 | KIT-VT-WS0813CL | KIT RONDELLA CON COLLARE Ø8x13x4mm (50 pezzi) <i>WASHER WITH COLLAR Ø8x13x4mm KIT (50 pieces)</i> | € 45,00 |
| 25 | KIT-VT-SP0517 | DISTANZIALE FUSELLO Ø17 H5MM ANOD. (10 pezzi) <i>Ø17 SPINDLE SPACER H5MM ANODIZED (10 pieces)</i> | € 35,50 |
| 26 | KIT-VT-SP2017 | DISTANZIALE FUSELLO Ø17 H20MM ANOD. (10 pezzi) <i>Ø17 SPINDLE SPACER H20MM ANODIZED (10 pieces)</i> | € 44,00 |
| 27 | KIT-VT-SC0840RH | VITE TESTA BOMBATA M8x40MM (50 pezzi) - per telai Baby e Dark <i>SCREW ROUND HEAD M8x40MM (50 pieces) - for Baby and Dark chassis</i> | € 23,00 |
| KIT-SPD-CCSBS510 | | BOCCOLA 0,5 GRADO 10MM ZINCATA BIANCA (10 pezzi) <i>CCS BUSH 0,5 DEGREE 10MM WHITE GALVANIZED (10 pieces)</i> | € 80,00 |
| KIT-SPD-CCSBS110 | | BOCCOLA 1 GRADO 10MM ZINCATA BIANCA (10 pezzi) <i>CCS BUSH 1 DEGREE 10MM WHITE GALVANIZED (10 pieces)</i> | € 80,00 |
| KIT-SPD-CCSBS210 | | BOCCOLA 2 GRADI 10MM ZINCATA BIANCA (10 pezzi) <i>CCS BUSH 2 DEGREES 10MM WHITE GALVANIZED (10 pieces)</i> | € 80,00 |



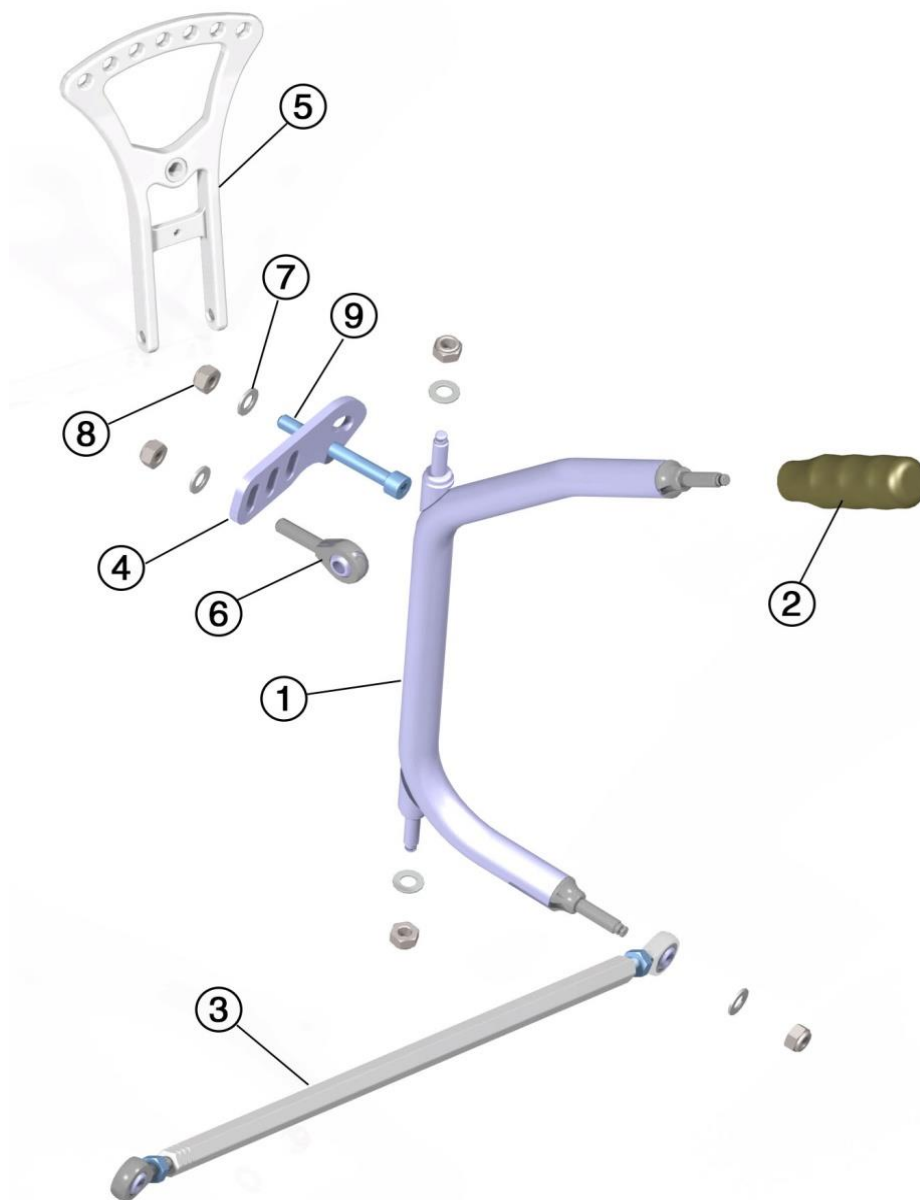
ACCESSORI FUSELLI "DARK" / "DARK" SPINDLES ACCESSORIES

| Codice code | Descrizione description | Prezzo (IVA escl.) price (excl. VAT) |
|-------------|--|--------------------------------------|
| 3 | KIT-VT-WS0814 RONDELLA Ø8x14MM (50 pezzi) <i>WASHER Ø8x14MM (50 pieces)</i> | € 15,00 |
| 5 | KIT-VT-NT08SH DADO AUTOBLOCCANTE ALTO M8 (50 pezzi) <i>NUT SELFLOCK HIGH M8 (50 pieces)</i> | € 19,00 |
| 6 | KIT-VT-CCSSCSP10RS VITE FUSELLO Ø10 MOD. RS (10 pezzi) <i>CCS SCREW SPINDLE Ø10 RS MOD. (10 pieces)</i> | € 146,88 |
| 7 | KIT-SPD-CCSEW2RS BOCCOLA 2 GRADI 10MM MODELLO RS (10 pezzi) <i>RS MOD. 2 DEGREE BUSH 10MM (10 pieces)</i> | € 126,48 |
| 8 | KIT-VT-SC0412CH VITE TESTA CILINDRICA M4x12MM (50 pezzi) <i>SCREW CYLINDRICAL HEAD M4x12MM (50 pieces)</i> | € 23,00 |
| 9 | KIT-SPD-ECFXWSH RONDELLA FISSA ZINCATA NERA (20 pezzi) <i>FIXED WASHER BLACK GALVANIZED (20 pieces)</i> | € 69,00 |
| 10 | SPD-CCSSJRS SPESSORE SFERICO MODELLO RS (10 pezzi) <i>RS MOD. SPHERICAL JOINT (10 pieces)</i> | € 70,38 |
| 11 | KIT-SPD-CCSSSPRS4 SPESSORE H 4 MM MODELLO RS (10 pezzi) <i>SPINDLE SPACER H 4 MM RS MOD. (10 pieces)</i> | € 60,18 |



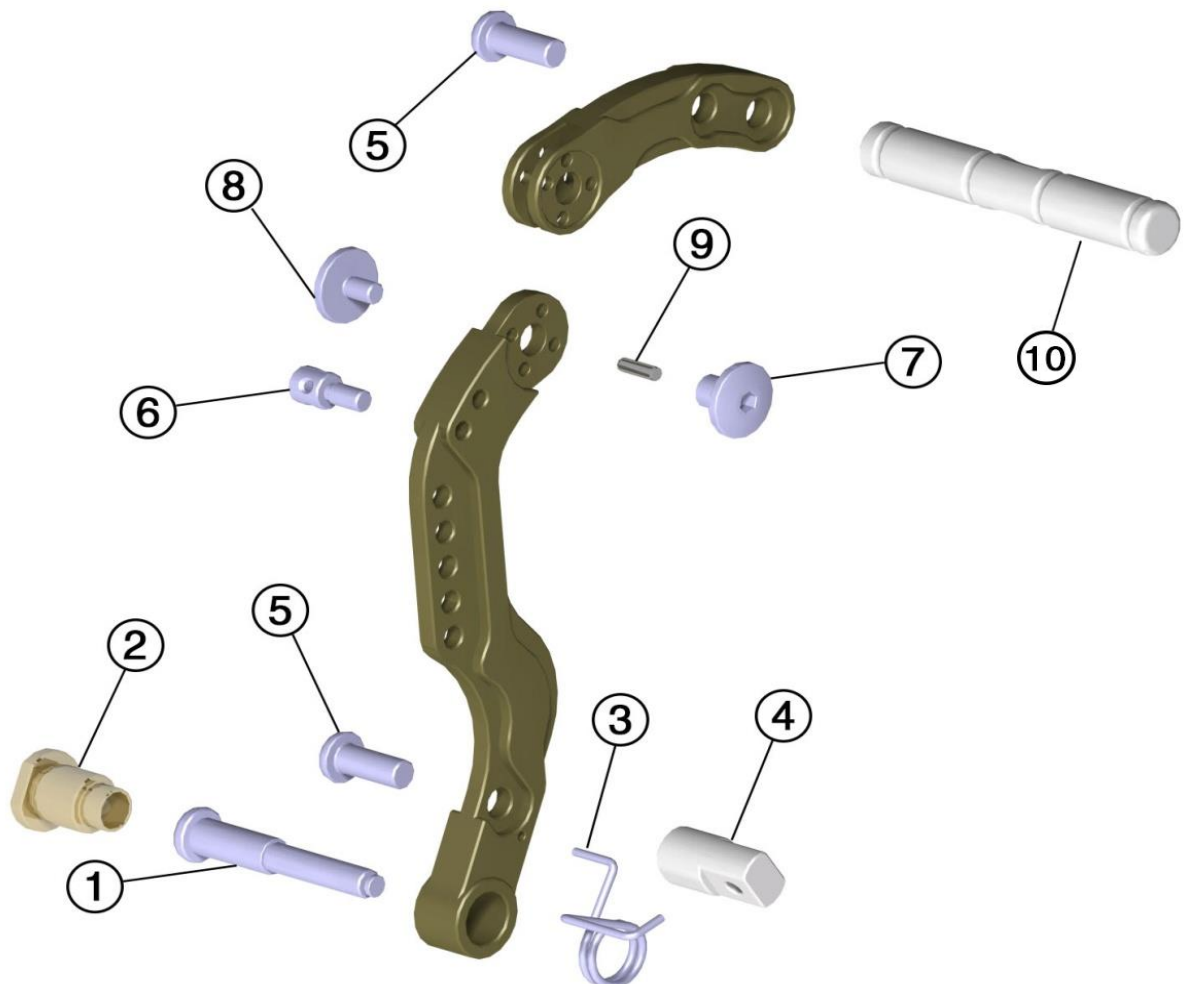
CAMBIO & FRIZIONE | GEAR & CLUTCH

| Codice code | Descrizione description | Prezzo (IVA escl.) price (excl. VAT) |
|-------------|---|--------------------------------------|
| 1 | CS-LVC-GRLVR LEVA CAMBIO CROMATA GEAR LEVER CHROMED | € 58,00 |
| 2 | LVC-GRHND POMELLO LEVA CAMBIO ANODIZZATO GEAR LEVER HANDLE ANODIZED | € 26,00 |
| 3 | LVC-HXGRRD490 TIRANTE LEVA CAMBIO ESAGONALE L490MM REGOLABILE ANODIZZATO INOX HEXAGONAL GEAR TIE ROD L490MM INOX ANODIZED | € 24,50 |
| 4 | LVC-GRPLT PIASTRA LEVA CAMBIO ZINCATA BIANCA GEAR LEVER ADAPTER WHITE GALVANIZED | € 10,00 |
| 5 | LVC-CLTLVR LEVA FRIZIONE ANODIZZATA INOX CLUTCH LEVER INOX ANODIZED | € 64,00 |
| 6 | KIT-VT-BJ08RGH UNIBALL DESTRO M8 (5 pezzi) RIGHT UNIBALL M8 (5 pieces) | € 51,50 |
| 7 | KIT-VT-WS0816 RONDELLA Ø8x16MM (50 pezzi) WASHER Ø8x16MM (50 pieces) | € 15,00 |
| 8 | KIT-VT-NT08SL DADO AUTOBLOCCANTE BASSO M8 (50 pezzi) NUT SELFLOCK LOW M8 (50 pieces) | € 19,00 |
| 9 | KIT-VT-SC0870CH VITE TESTA CILINDRICA M8x70MM (50 pezzi) SCREW CYLINDRICAL HEAD M8x70MM (50 pieces) | € 23,00 |



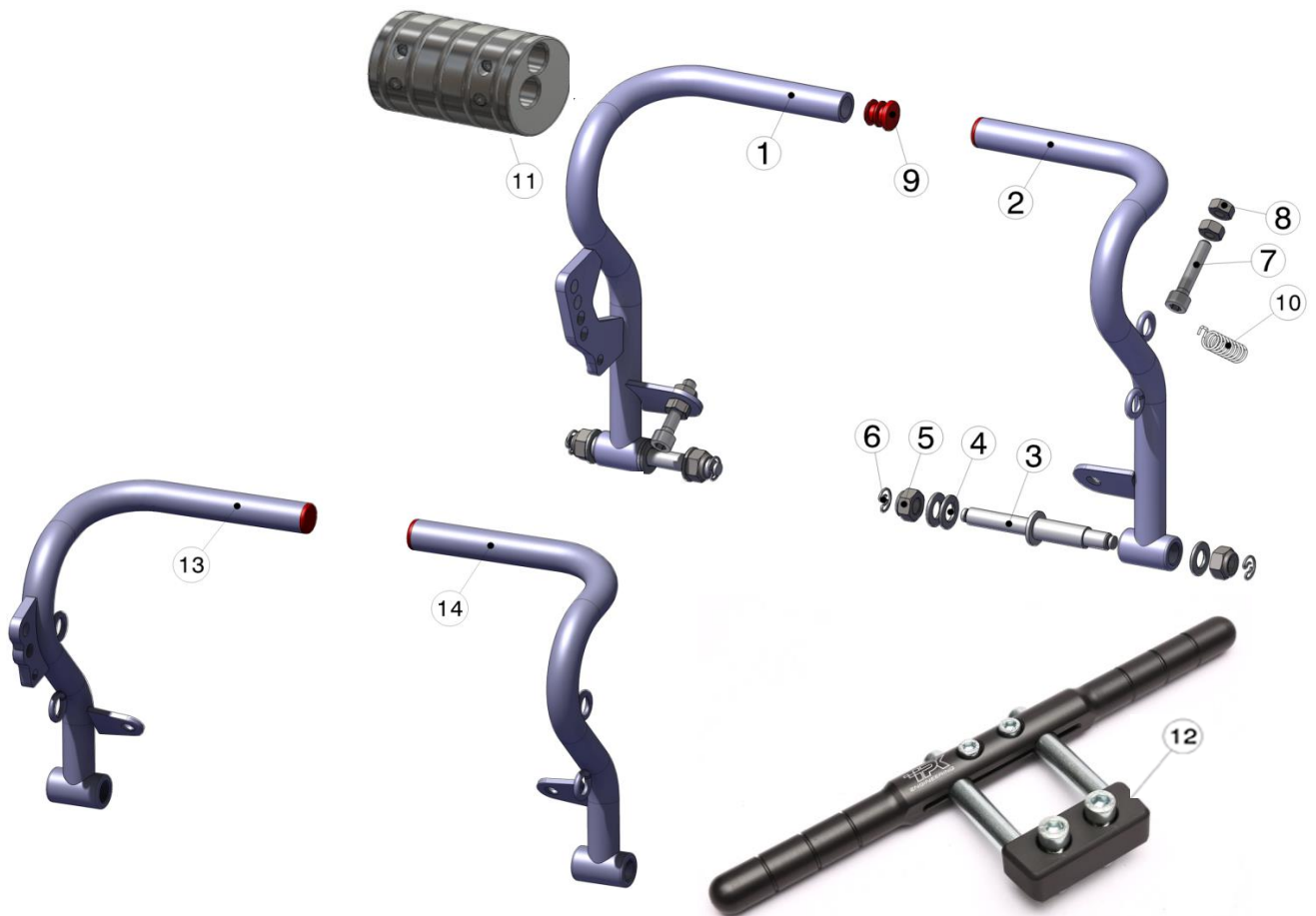
PEDALE REGOLABILE ALLUMINIO | ALUMINIUM ADJUSTABLE PEDAL

| Codice code | Descrizione description | Prezzo (IVA escl.) price (excl. VAT) |
|--------------------|--|--------------------------------------|
| / CS-PDL-ALRACC | PEDALE ACCELERATORE REGOLABILE IN ALLUMINIO ALUMINIUM ADJUSTABLE ACCELERATOR PEDAL | € 107,00 |
| / CS-PDL-ALRBRK | PEDALE FRENO REGOLABILE IN ALLUMINIO ALUMINIUM ADJUSTABLE BRAKE PEDAL | € 107,00 |
| 1 KIT-PDL-SCRR | VITE PEDALE MOD. R (10 pezzi) R MOD. PEDAL PIN (10 pieces) | € 50,00 |
| 2 KIT-PDL-BSHR | BOCCOLA IN OTTONE PEDALE MOD. R (10 pezzi) BRASS PEDAL BUSH R MOD. (10 pieces) | € 45,00 |
| 3 KIT-VT-SPRTRBRK | MOLLA FRENO A TRAZIONE (10 pezzi) BRAKE TORSION SPRING (10 pieces) | € 34,00 |
| 3A KIT-VT-SPRTRACC | MOLLA ACCELERATORE A TRAZIONE (10 pezzi) ACCELERATOR TORSION SPRING (10 pieces) | € 34,00 |
| 4 KIT-PDL-STPBSHR | FERMO PEDALE MOD. R (10 pezzi) STOP PEDAL BUSH R MOD. (10 pieces) | € 54,00 |
| 5 KIT-VT-SC0820RH | VITE TESTA BOMBATA M8x20MM (50 pezzi) SCREW ROUND HEAD M8x20MM (50 pieces) | € 23,00 |
| 6 KIT-VT-ACCWR | VITE PER CAVO ACCELERATORE (10 pezzi) ACCELERATOR WIRE SCREW (10 pieces) | € 38,00 |
| 7 KIT-PDL-STADBSHR | BOCCOLA FERMO REGOLAZIONE PEDALE MOD. R (10 pezzi) STOPPED R MOD. PEDAL ADJUSTMENT BUSH (10 pieces) | € 46,00 |
| 8 KIT-PDL-STADPINR | PERNO FERMO REGOLAZIONE PEDALE MOD. R (10 pezzi) STOPPED R MOD. PEDAL ADJUSTMENT PIN (10 pieces) | € 46,00 |
| 9 KIT-VT-PN0412 | SPINA CILINDRICA Ø4x12MM (50 pezzi) PIN Ø4x12MM (50 pieces) | € 25,00 |
| 10 PDL-FTRR | APPOGGIO PEDALE MOD. R R MOD. PEDAL FOOTREST | € 19,00 |



PEDALI & ACCESSORI | PEDALS & ACCESSORIES

| Codice code | Descrizione description | Prezzo (IVA escl.) price (excl. VAT) |
|-------------|---|--------------------------------------|
| 1 | PEDALE FRENO - CROMATO BRAKE PEDAL - CHROMED | € 29,00 |
| 2 | PEDALE ACCELERATORE - CROMATO ACCELERATOR PEDAL - CHROMED | € 29,00 |
| 3 | PERNO PEDALE (10 pezzi) PEDAL PIN (10 pieces) | € 38,00 |
| 4 | RONDELLA Ø8x16MM (50 pezzi) WASHER Ø8x16MM (50 pieces) | € 15,00 |
| 5 | DADO AUTOBLOCCANTE BASSO M8 (50 pezzi) NUT SELFLOCK LOW M8 (50 pieces) | € 19,00 |
| 6 | ANELLO SICUREZZA PEDALE Ø3.5MM (50 pezzi) PEDAL SAFETY SNAP RING Ø3.5MM (50 pieces) | € 30,00 |
| 7 | VITE TESTA CILINDRICA M6x30MM (50 pezzi) SCREW CYLINDRICAL HEAD M6x30MM (50 pieces) | € 23,00 |
| 8 | DADO ESAGONALE M6 (50 pezzi) NUT HEXAGON M6 (50 pieces) | € 19,00 |
| 9 | TAPPO PEDALE (50 pezzi) PEDAL CAP (50 pieces) | € 35,50 |
| 10 | MOLLA PEDALE (10 pezzi) PEDAL SPRING (10 pieces) | € 20,00 |
| 11 | KIT ESTENSIONE PEDALE (dx+sx) PEDAL EXTENSION KIT (left+right) | € 59,00 |
| 12 | POGGIAPIEDI REGOLABILE ADJUSTABLE FOOTREST SYSTEM | € 68,00 |
| 13 | PEDALE FRENO MINIKART - CROMATO MINIKART BRAKE PEDAL - CHROMED | € 26,00 |
| 14 | PEDALE ACCELERATORE MINIKART - CROMATO MINIKART ACCELERATOR PEDAL - CHROMED | € 26,00 |
| 15 | PEDALIERA REGISTRABILE UNIVERSALE con tirante 350mm (FORNITO SENZA PEDALI) ADJUSTABLE FOOTREST SYSTEM with brake tie rod 350mm (PROVIDED WITHOUT PEDALS) | € 218,00 |
| 16 | POGGIAPIEDI REGOLABILE BABY BABY ADJUSTABLE FOOTREST SYSTEM | € 96,00 |
| 17 | PEDALE FRENO BABY CROMATO BABY BRAKE PEDAL CHROMED | € 26,00 |
| 18 | PEDALE ACCELERATORE BABY CROMATO BABY ACCELERATOR PEDAL CHROMED | € 26,00 |








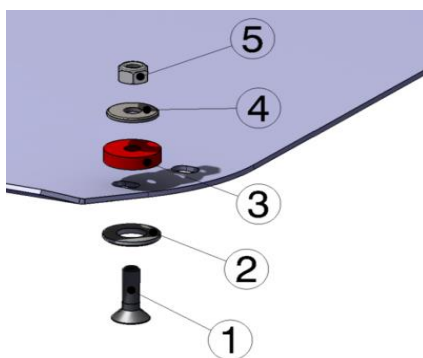


CAVI & ACCESSORI | WIRES & ACCESSORIES

| Codice code | Descrizione description | | Prezzo (IVA escl.) price (excl. VAT) |
|----------------|--|---|---|
| VT-WRACC | CAVO ACCELERATORE 1.2x2000MM TIPO SVEDESE ACCELERATOR WIRE 1.2x2000MM SWEDISH TYPE |  | € 5,00 |
| VT-WRBRK | CAVO FRENO FRIZIONE 1.9x2000MM TIPO SVEDESE BRAKE-CLUTCH WIRE 1.9x2000MM SWEDISH TYPE | | € 5,50 |
| VT-SHACC | GUAINA NERA CAVO ACCELERATORE (50 metri) SHEATH ACCELERATOR WIRE BLACK(50 meters) |  | € 35,00 |
| VT-SHBRK | GUAINA NERA CAVO FRENO/FRIZIONE (50 metri) SHEATH BRAKE/CLUTCH WIRE BLACK (50 meters) | | € 79,00 |
| KIT-VT-ACRGSC | VITE REGISTRO GUAINA ACCELERATORE M8 (10 pezzi) ACCELERATOR REGISTER SCREW M8 (10 pieces) |  | € 35,50 |
| KIT-VT-SH0630 | REGISTRO GUAINA M6x30MM (10 pezzi) SHEATH REGISTER SCREW M6x30MM (10 pieces) |  | € 20,00 |
| KIT-VT-2CLACC | MORSETTO 2 VITI CAVO ACCELERATORE (10 pezzi) 2 SCREWS CLAMP ACCELERATOR WIRE (10 pieces) |  | € 34,50 |
| KIT-VT-CLACC | MORSETTO CAVO ACCELERATORE (10 pezzi) CLAMP ACCELERATOR WIRE (10 pieces) |  | € 18,00 |
| PDL-SCRSP2 | DISTANZIALE VITE PEDALE 2 FORI PEDAL SCREW SPACER 2 HOLES |  | € 9,00 |
| PDL-ADPLT | PIASTRA ADATTATORE PEDALE FRENO PER PEDALIERA REGISTRABILE ADAPTOR BRAKE PEDAL PLATE FORFOOTREST SYSTEM |  | € 9,50 |
| PDL-UAFSADPL | PIASTRA ADATTATORE PEDALIERA REGISTRABILE ADAPTER PLATE FOR FOOTREST SYSTEM |  | € 9,50 |
| PDL-ACRGEXPLT | PIASTRA ESTENSIONE REGISTRO ACCELERATORE ACCELERATOR REGISTER EXTENSION PLATE |  | € 10,00 |
| | | | Prezzo netto (IVA escl.) net price (excl. VAT) |
| KIT-VT-WRBLT | FASCETTA STRINGICAVO PLASTICA (100 pezzi) PLASTIC TIGHTENING WIRE BELT (100 pieces) |  | € 6,00 |

PIANALI | FLOOR PLATES

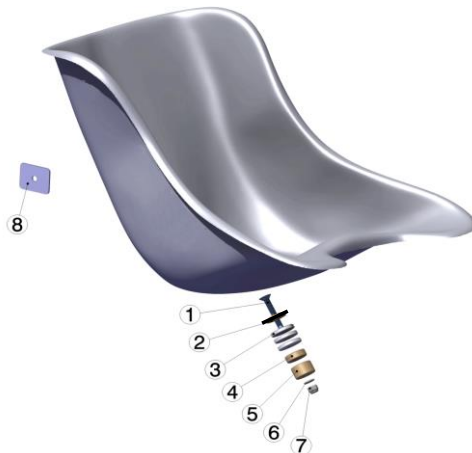
| Codice <i>code</i> | Descrizione <i>description</i> | Prezzo (IVA escl.) <i>price (excl. VAT)</i> |
|-----------------------|---|---|
| FLP-RCNEVO | PIANALE RACING EVO <i>RACING EVO FLOOR PLATE</i> |  € 74,00 |
| FLP-RCEFBR-D4 | PIANALE RACING EVO IN FIBRA D4 - MORBIDO (verde) <i>FIBER D4 RACING EVO FLOOR PLATE - SOFT (green)</i> |  € 124,00 |
| FLP-RCEFBR-D5 | PIANALE RACING EVO IN FIBRA D5 - MEDIO (rosso) <i>FIBER D5 RACING EVO FLOOR PLATE - MEDIUM (red)</i> | |
| FLP-RCEFBR-D6 | PIANALE RACING EVO IN FIBRA D6 - DURO (blu) <i>FIBER D6 RACING EVO FLOOR PLATE - HARD (blue)</i> | |
| FLP-MK | PIANALE MINIKART <i>MINIKART FLOOR PLATE</i> |  € 59,00 |
| FLP-MKFBR-D4 | PIANALE MINIKART IN FIBRA D4 - MORBIDO <i>FIBER D4 MINIKART FLOOR PLATE - SOFT</i> |  € 124,00 |
| FLP-MKFBR-D5 | PIANALE MINIKART IN FIBRA D5 - MEDIO <i>FIBER D5 MINIKART FLOOR PLATE - MEDIUM</i> | |
| FLP-MKFBR-D6 | PIANALE MINIKART IN FIBRA D6 - DURO <i>FIBER D6 MINIKART FLOOR PLATE - HARD</i> | |
| KIT-VT-FLPCAP | TAPPO PIANALE (50 pezzi) <i>FLOOR PLATE CAP (50 pieces)</i> |  € 41,00 |



| | | | |
|---|-----------------|--|---------|
| 1 | KIT-VT-SC0620SH | VITE TESTA SVASATA M6x20MM (50 pezzi) <i>SCREW COUNTERSUNK HEAD M6x20MM (50 pieces)</i> | € 23,00 |
| 2 | KIT-VT-WS1020 | RONDELLA Ø10x20MM (50 pezzi) <i>WASHER Ø10x20MM (50 pieces)</i> | € 15,00 |
| 3 | KIT-VT-SB0620 | SILENTBLOCK Ø6xØ20xH5MM (50 pezzi) <i>SILENTBLOCK Ø6xØ20xH5MM (50 pieces)</i> | € 30,50 |
| 4 | KIT-VT-WS0618 | RONDELLA Ø6x18MM (50 pezzi) <i>WASHER Ø6x18MM (50 pieces)</i> | € 15,00 |
| 5 | KIT-VT-NT06SL | DADO AUTOBLOCCANTE BASSO M6 (50 pezzi) <i>NUT SELFLOCK LOW M6 (50 pieces)</i> | € 19,00 |

SEDILI & SUPPORTI | SEATS & SUPPORTS


| Codice code | Descrizione description | Prezzo (IVA escl.) price (excl. VAT) |
|---------------|---|--------------------------------------|
| STS-RSM25T | SEDILE "RACING" MISURA MINI 25T (25 cm) FONDO PIATTO "RACING" SEAT SIZE MINI 25T (25 cm) FLAT | € 94,00 |
| STS-RSM27 | SEDILE "RACING" MISURA MINI 27 (27 cm) FONDO PIATTO "RACING" SEAT SIZE MINI 27 (27 cm) FLAT | |
| STS-RS28SB | SEDILE "RACING" MISURA 28SB (28,5 cm) FONDO PIATTO "RACING" SEAT SIZE 28SB (28,5 cm) FLAT | |
| STS-RS30 | SEDILE "RACING" MISURA 30 (30 cm) FONDO PIATTO "RACING" SEAT SIZE 30 (30 cm) FLAT | |
| STS-RS31 | SEDILE "RACING" MISURA 31 (31 cm) FONDO PIATTO "RACING" SEAT SIZE 31 (31 cm) FLAT | |
| STS-RS32 | SEDILE "RACING" MISURA 32 (32 cm) FONDO PIATTO "RACING" SEAT SIZE 32 (32 cm) FLAT | |
| STS-RS34 | SEDILE "RACING" MISURA 34 (34 cm) FONDO PIATTO "RACING" SEAT SIZE 34 (34 cm) FLAT | |
| STS-RS35 | SEDILE "RACING" MISURA 35 (35 cm) FONDO PIATTO "RACING" SEAT SIZE 35 (35 cm) FLAT | |
| STS-M725T | SEDILE "M7 TRASPARENTE" MISURA MINI 25T (25 cm) FONDO PIATTO "M7 TRASPARENTE" SEAT SIZE MINI 25T (25 cm) FLAT | € 74,00 |
| STS-M727 | SEDILE "M7 TRASPARENTE" MISURA MINI 27 (27 cm) FONDO PIATTO "M7 TRASPARENTE" SEAT SIZE MINI 27 (27 cm) FLAT | |
| STS-M728SB | SEDILE "M7 TRASPARENTE" MISURA 28SB (28,5 cm) FONDO PIATTO "M7 TRASPARENTE" SEAT SIZE 28SB (28,5 cm) FLAT | |
| STS-M730 | SEDILE "M7 TRASPARENTE" MISURA 30 (30 cm) FONDO PIATTO "M7 TRASPARENTE" SEAT SIZE 30 (30 cm) FLAT | |
| STS-M731 | SEDILE "M7 TRASPARENTE" MISURA 31 (31 cm) FONDO PIATTO "M7 TRASPARENTE" SEAT SIZE 31 (31 cm) FLAT | |
| STS-M732 | SEDILE "M7 TRASPARENTE" MISURA 32 (32 cm) FONDO PIATTO "M7 TRASPARENTE" SEAT SIZE 32 (32 cm) FLAT | |
| STS-M734 | SEDILE "M7 TRASPARENTE" MISURA 34 (34 cm) FONDO PIATTO "M7 TRASPARENTE" SEAT SIZE 34 (34 cm) FLAT | |
| STS-M735 | SEDILE "M7 TRASPARENTE" MISURA 35 (35 cm) FONDO PIATTO "M7 TRASPARENTE" SEAT SIZE 35 (35 cm) FLAT | |
| STS-M7PUFFO | SEDILE "M7 TRASPARENTE" MISURA PUFFO 23 (23 cm) "M7 TRASPARENTE" SEAT SIZE PUFFO 23 (23 cm) | € 64,00 |
| KIT-ST5-STPLT | KIT PIASTRA SEDILE IN ACCIAIO (2Pz.) STEEL SEAT PLATE KIT (2Pcs.) | € 15,00 |
| 1 | KIT-VT-SC0870SH VITE TESTA SVASATA M8x70MM (50 pezzi) SCREW COUNTERSUNK HEAD M8x70MM (50 pieces) | € 23,00 |
| 2 | KIT-VT-WS1428N RONDELLA Ø14x28MM ZINCATA NERA (50 pezzi) WASHER Ø14x28MM BLACK GALVANIZED (50 pieces) | € 22,00 |
| 3 | KIT-VT-WS0840TF RONDELLA TEFLON Ø8x40MM (50 pezzi) TEFLON WASHER Ø8x40MM (50 pieces) | € 50,00 |
| 4 | KIT-VT-SP1030 DISTANZIALE Ø10xØ30xH10MM (20 pezzi) SPACER Ø10xØ30xH10MM (20 pieces) | € 50,00 |
| 5 | KIT-VT-SP1830 DISTANZIALE Ø10xØ30xH18MM ANODIZZATO (20 pezzi) SPACER Ø10xØ30xH18MM ANODIZED (20 pieces) | € 60,00 |
| 6 | KIT-VT-WS0816 RONDELLA Ø8x16MM (50 pezzi) WASHER Ø8x16MM (50 pieces) | € 15,00 |
| 7 | KIT-VT-NT08SH DADO AUTOBLOCCANTE ALTO M8 (50 pezzi) NUT SELFLOCK HIGH M8 (50 pieces) | € 19,00 |
| 8 | KIT-ST5-PLT PIASTRA ATTACCO RINFORZO SEDILE (20 pezzi) REINFORCEMENT SEAT PLATE (20 pieces) | € 55,00 |



| Codice code | Descrizione description | Prezzo (IVA escl.) price (excl. VAT) |
|-------------------|--|---|
| / CS-ST5-SUPADJ | SUPPORTO SEDILE DESTRO CURVO REGISTRABILE COMPLETO <i>RIGHT CURVED ADJUSTABLE SEAT SUPPORT COMPLETE</i> | € 74,00 |
| / CS-ST5-ST5UPADJ | SUPPORTO SEDILE DRITTO REGISTRABILE COMPLETO <i>STRAIGHT ADJUSTABLE SEAT SUPPORT COMPLETE</i> | € 70,00 |

| | | | |
|---|------------------|---|----------|
| 1 | KIT-ST5-ASUPSCR | VITE IN ALLUMINIO PER SUPPORTO SEDILE REGISTRABILE (10 pezzi) <i>ALUMINIUM ADJUSTABLE SEAT SUPPORT SCREW (10 pieces)</i> | € 190,00 |
| 2 | KIT-ST5-ASUPNT | DADO DESTRO SUPPORTO SEDILE REGISTRABILE (10 pezzi) <i>ADJUSTABLE SEAT SUPPORT RIGHT NUT (10 pieces)</i> | € 35,00 |
| 3 | KIT-ST5-ASUPNTSX | DADO SINISTRO SUPPORTO SEDILE REGISTRABILE (10 pezzi) <i>ADJUSTABLE SEAT SUPPORT LEFT NUT (10 pieces)</i> | € 35,00 |



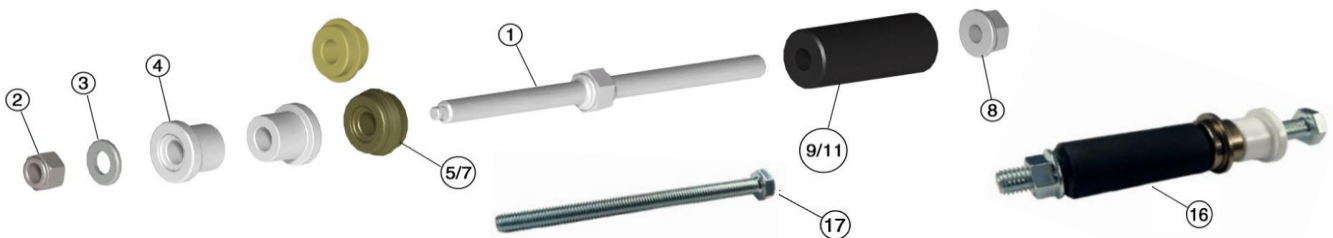
| | | | |
|---------------|--|---|---------|
| STS-SUP220 | SUPPORTO SEDILE L220MM CROMATO <i>SEAT SUPPORT L220MM CHROMED</i> |  | € 10,50 |
| STS-SUP240 | SUPPORTO SEDILE L240MM CROMATO <i>SEAT SUPPORT L240MM CHROMED</i> | | |
| STS-SUP260 | SUPPORTO SEDILE L260MM CROMATO <i>SEAT SUPPORT L260MM CHROMED</i> | | |
| STS-SUP280 | SUPPORTO SEDILE L280MM CROMATO <i>SEAT SUPPORT L280MM CHROMED</i> | | |
| STS-SUP300 | SUPPORTO SEDILE L300MM CROMATO <i>SEAT SUPPORT L300MM CHROMED</i> | | |
| STS-SUP320 | SUPPORTO SEDILE L320MM CROMATO <i>SEAT SUPPORT L320MM CHROMED</i> | | |
| STS-SUP340 | SUPPORTO SEDILE L340MM CROMATO <i>SEAT SUPPORT L340MM CHROMED</i> | | |
| STS-SUP360 | SUPPORTO SEDILE L360MM CROMATO <i>SEAT SUPPORT L360MM CHROMED</i> | | |
| STS-SUP400 | SUPPORTO SEDILE L400MM CROMATO <i>SEAT SUPPORT L400MM CHROMED</i> | | |
| KIT-ST5-SDPRT | KIT PROTEZIONI LATERALI SEDILE (SINISTRA + DESTRA) <i>SIDE SEAT PROTECTION KIT (LEFT + RIGHT)</i> | | |

BARRE STABILIZZATRICI | STABILIZER BARS

| Codice code | Descrizione description | Prezzo (IVA escl.) price (excl. VAT) |
|-----------------|---|---|
| STB-FRTRODR | BARRA STABILIZZATRICE ANTERIORE Ø28MM MOD. R R MOD. FRONT STABILIZER ROD Ø28MM | € 27,00 |
| STB-FRTROD28 | BARRA STABILIZZATRICE ANTERIORE NYLON Ø28MM NYLON FRONT STABILIZER ROD Ø28MM | € 18,00 |
| STB-FRTROD28STL | BARRA STABILIZZATRICE ANTERIORE ACCIAIO Ø28MM CROMATA FRONT STEEL STABILIZER ROD Ø28MM CHROMED | € 22,00 |
| STB-FRTROD28SL | BARRA STABILIZZATRICE ANTERIORE SLIM ACCIAIO Ø28x1,5MM CROMATA SLIM FRONT STEEL STABILIZER ROD Ø28x1,5MM CHROMED | € 20,00 |
| STB-FRTROD28CS | BARRA STABILIZZATRICE ANTERIORE ACCIAIO Ø28x2MM CROMATA FRONT STEEL STABILIZER ROD Ø28x2MM CHROMED | € 16,00 |
| CS-STB-PPBLT28 | SERRAGGIO BARRA STABILIZZATRICE Ø28MM ANODIZZATO TIGHTENING PIPE BELT ROD Ø28MM ANODIZED | € 15,00 |
| KIT-VT-SC0825CH | VITE TESTA CILINDRICA M8x25MM (50 pezzi) SCREW CYLINDRICAL HEAD M8x25MM (50 pieces) | € 23,00 |

KIT VITERIA SPOILER POSTERIORE | REAR SPOILER FIXING SCREWS KIT

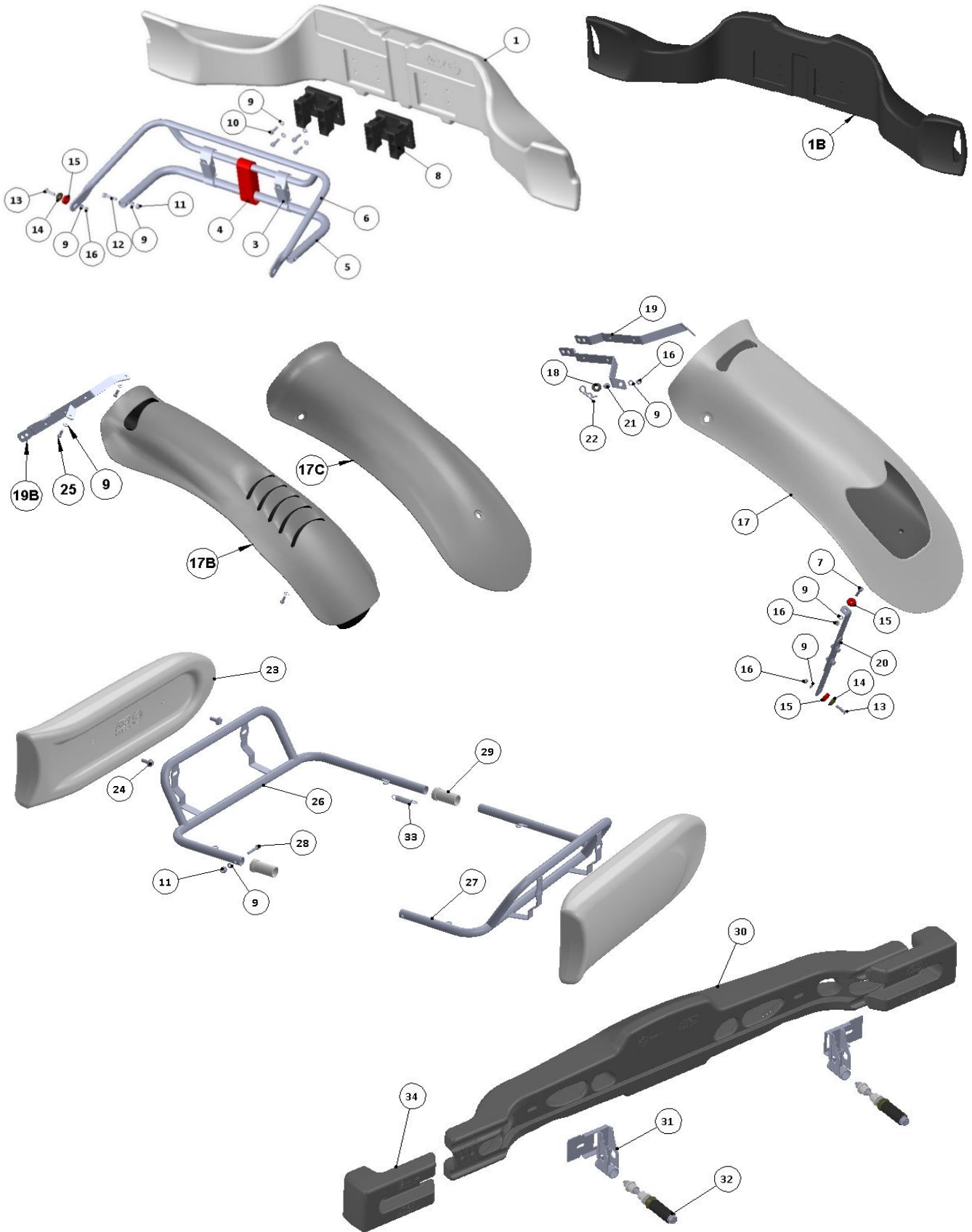
| Codice code | Descrizione description | Prezzo (IVA escl.) price (excl. VAT) |
|----------------|---|---|
| 1 | BDW-RRBMSPC VITE SPOILER POSTERIORE ZINCATA BIANCA REAR BUMPER SCREW GALVANIZED WHITE | € 12,00 |
| 2 | KIT-VT-NT10SH DADO AUTOBLOCCANTE ALTO M10 (50 pezzi) NUT SELFLOCK HIGH M10 (50 pieces) | € 19,00 |
| 3 | KIT-VT-WS1020 RONDELLA Ø10x20MM (50 pezzi) WASHER Ø10x20MM (50 pieces) | € 15,00 |
| 4 | KIT-BDW-RRBMSP Distanziale Spoiler Posteriore (50 pezzi) REAR BUMPER SPACER (50 pieces) | € 85,00 |
| 5 | KIT-BDW-RRWS28HLK RONDELLA PARAURTI POSTERIORE Ø28mm mod. HULK (10 Pz.) HULK REAR BUMPER WASHER Ø28mm (10 Pcs.) | € 40,00 |
| 6 | KIT-BDW-RRWS30 BOCCOLA SPOILER POST. Ø30mm ANODIZZATA (10 pezzi) REAR BUMPER WASHER Ø30mm ANODIZED (10 pieces) | € 40,00 |
| 7 | KIT-BDW-RRWS32 BOCCOLA SPOILER POST. Ø32mm ANODIZZATA (10 pezzi) REAR BUMPER WASHER Ø32mm ANODIZED (10 pieces) | € 40,00 |
| 8 | KIT-VT-NT10FL DADO FLANGIATO M10 (50 pezzi) NUT FLANGED M10 (50 pieces) | € 19,00 |
| 9 | VT-SB2460 SILENTBLOCK Ø24xL60MM (per tubo Ø28mm) SILENTBLOCK Ø24xL60MM (for Ø28mm tube) | € 6,00 |
| 10 | VT-SB2660 SILENTBLOCK Ø26xL60MM (per tubo Ø30mm) SILENTBLOCK Ø26xL60MM (for Ø30mm tube) | € 6,00 |
| 11 | VT-SB2860 SILENTBLOCK Ø28xL60MM (per tubo Ø32mm) SILENTBLOCK Ø28xL60MM (for Ø32mm tube) | € 6,00 |
| 16 | KIT-RRBDW28HK KIT VITERIA SPOILER POST. Ø28MM MINIKART MOD. HULK DX+SX MINIKART HULK REAR SPOILER SCREWS KIT Ø28mm RIGHT+LEFT | € 40,00 |
| 17 | VT-SC10140HH VITE TESTA ESAGONALE M10x140mm mod. HULK SCREW HEXAGON HEAD M10x140mm mod. HULK | € 5,00 |









| | | |
|-----------------|--|---------|
| KIT-VT-FRMCAP30 | TAPPO CROMATO PER SCOCCA Ø30mm (10 pezzi) Ø30mm CHROMED FRAME CAP (10 pieces) | € 19,50 |
| KIT-VT-FRMCAP28 | TAPPO CROMATO PER SCOCCA Ø28mm (10 pezzi) Ø28mm CHROMED FRAME CAP (10 pieces) | |

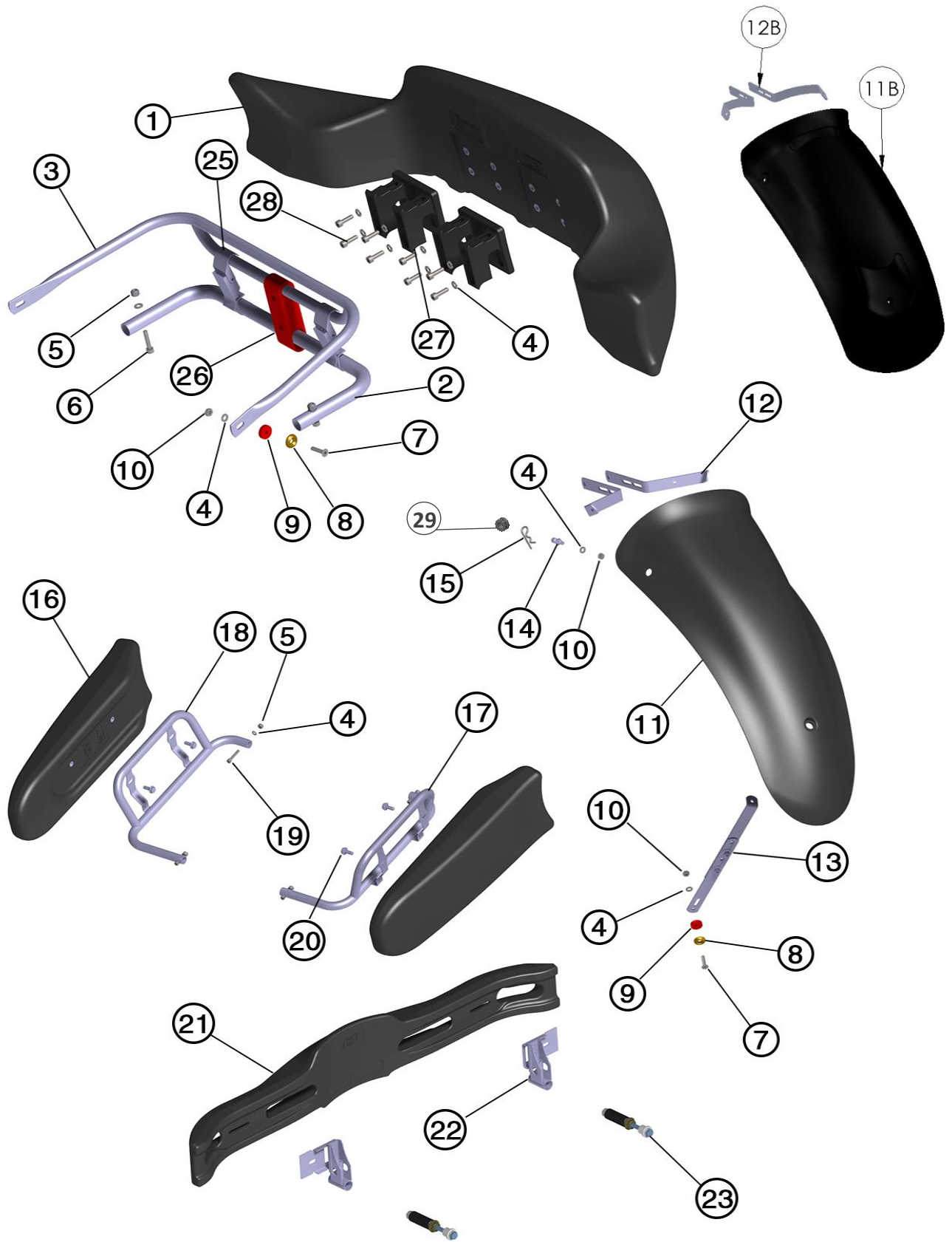
CARENATURE 507/508/509 BODYWORKS

| Codice code | | Descrizione description | Prezzo (IVA escl.) price (excl. VAT) |
|-------------|--------------------|--|--------------------------------------|
| 1 | BDW-FS507 | SPOILER ANTERIORE MOD.507 NERO FRONT SPOILER MOD.507 BLACK | € 72,00 |
| 1B | BDW-FS509 | SPOILER ANTERIORE MOD.509 NERO FRONT SPOILER MOD.509 BLACK | € 87,00 |
| 3 | KIT-BDW-BMPCLP | GANCIO METALLICO PARAURTI ANTERIORE (2 pezzi) FRONT BUMPER CLIP (2 pieces) | € 27,00 |
| 4 | BDW-BMPFST | BRIGLIA SPOILER ANTERIORE FRONT SPOILER FASTENING | € 10,00 |
| 5 | BDW-LWFRSUP506 | SUPPORTO SPOILER ANTERIORE 506/507INFERIORE CROMATO LOW FRONT SPOILER 506/507 SUPPORT CHROMED | € 24,00 |
| 6 | BDW-HHFRSUP506 | SUPPORTO SPOILER ANTERIORE 506/507 SUPERIORE CROMATO HIGH FRONT SPOILER 506/507 SUPPORT CHROMED | € 29,00 |
| 7 | KIT-VT-SC0625CH | VITE TESTA CILINDRICA M6x25MM (50 pezzi) SCREW CYLINDRICAL HEAD M6x25MM (50 pieces) | € 23,00 |
| 8 | KIT-BDW-PLTFRT15 | PIASTRA SPOILER ANTERIORE CIK-FIA (2 pezzi) CIK-FIA FRONT SPOILER PLATE (2 pieces) | € 22,00 |
| 9 | KIT-VT-WS0612 | RONDELLA Ø6x12MM (50 pezzi) WASHER Ø6x12MM (50 pieces) | € 15,00 |
| 10 | KIT-VT-SC0620CH | VITE TESTA CILINDRICA M6x20MM (50 pezzi) SCREW CYLINDRICAL HEAD M6x20MM (50 pieces) | € 23,00 |
| 11 | KIT-VT-NT06SH | DADO AUTOBLOCCANTE ALTO M6 (50 pezzi) NUT SELFLOCK HIGH M6 (50 pieces) | € 19,00 |
| 12 | KIT-VT-SC0630CH | VITE TESTA CILINDRICA M6x30MM (50 pezzi) SCREW CYLINDRICAL HEAD M6x30MM (50 pieces) | € 23,00 |
| 13 | KIT-VT-SC0625SH | VITE TESTA SVASATA M6x25MM (50 pezzi) SCREW COUNTERSUNK HEAD M6x25MM (50 pieces) | € 23,00 |
| 14 | KIT-VT-WS0620CH | RONDELLA SVASATA Ø6x20MM ANODIZZATA (50 pezzi) WASHER COUNTERSUNK Ø6x20MM ANODIZED (50 pieces) | € 75,00 |
| 15 | KIT-VT-SB0620 | SILENTBLOCK Ø6xØ20xH5MM (50 pezzi) SILENTBLOCK Ø6xØ20xH5MM (50 pieces) | € 30,50 |
| 16 | KIT-VT-NT06SL | DADO AUTOBLOCCANTE BASSO M6 (50 pezzi) NUT SELFLOCK LOW M6 (50 pieces) | € 19,00 |
| 17 | BDW-NP508 | FRONTALINO PORTANUMERO MOD.508 NERO completo NASSAU PANEL MOD.508 BLACK complete | € 85,00 |
| 17B | BDW-NP509 | FRONTALINO PORTANUMERO MOD.509 NERO completo NASSAU PANEL MOD.509 BLACK complete | € 94,00 |
| 17C | BDW-NP507 | FRONTALINO PORTANUMERO MOD.507 NERO completo NASSAU PANEL MOD.507 BLACK complete | € 32,00 |
| 18 | KIT-VT-SBNSPN | KIT GOMMINO ANTIVIBRANTE FRONTALINO (10 pezzi) NASSAU PANEL ANTIVIBRATION RUBBER KIT (10 pieces) | € 20,00 |
| 19 | KIT-BDW-H508NPSUP | KIT SUPPORTO SUPERIORE FRONTALINO MOD. 508/507 CROMATO (DX+SX) MOD. 508/507 HIGH NASSAU PANEL SUPPORT KIT CHROMED (R+L) | € 32,00 |
| 19B | KIT-BDW-H509NPSUP | KIT SUPPORTO SUPERIORE FRONTALINO MOD. 509 CROMATO (DX+SX) MOD. 509 HIGH NASSAU PANEL SUPPORT KIT CHROMED (R+L) | € 34,00 |
| 20 | KIT-BDW-HLWSUPMK20 | SUPPORTO INFERIORE FRONTALINO MK20 CROMATO (2 pezzi) MK20 LOW NASSAU PANEL SUPPORT CHROMED (2 pieces) | € 17,00 |
| 21 | KIT-VT-SF0612PN | PERNO SICUREZZA L12MM (10 pezzi) SAFETY PIN L12MM (10 pieces) | € 35,00 |
| 22 | KIT-VT-SFSPLNH | COPIGLIA SICUREZZA FRONTALINO (10 pezzi) NASSAU PANEL SAFETY SPLIT PIN (10 pieces) | € 8,00 |
| 23 | BDW-SP507 | CARENATURA LATERALE MOD.507 NERA SIDE BODYWORK MOD.507 BLACK | € 39,00 |
| 24 | KIT-VT-SC0820FL | VITE TESTA ESAGONALE FLANGIATA M8x20MM (50 pezzi) SCREW HEXAGON FLANGED HEAD M8x20MM (50 pieces) | € 23,00 |
| 25 | KIT-VT-SC0616CH | VITE TESTA CILINDRICA M6x16MM (50 pezzi) SCREW CYLINDRICAL HEAD M6x16MM (50 pieces) | € 23,00 |
| 26 | BDW-LFTSUP507 | SUPPORTO CARENATURA 507 EVO SINISTRA CROMATO 507 LEFT BODYWORK SUPPORT CHROMED | € 44,00 |
| 27 | BDW-RGHSUP507 | SUPPORTO CARENATURA 507 DESTRA CROMATO 507 RIGHT BODYWORK SUPPORT CHROMED | € 44,00 |
| 28 | KIT-VT-SC0635CH | VITE TESTA CILINDRICA M6x35MM (50 pezzi) SCREW CYLINDRICAL HEAD M6x35MM (50 pieces) | € 23,00 |
| 29 | KIT-BDW-BMPBSH | BOCCOLA PARAURTI LATERALE (10 pezzi) SIDE BUMPER BUSH (10 pieces) | € 35,00 |
| 30 | BDW-RRBDWC3 | SPOILER POSTERIORE MOD.C3 NERO REAR SPOILER MOD.C3 BLACK | € 88,00 |
| 31 | KIT-RRBDWSUP | KIT SUPPORTO SPOILER POSTERIORE REAR SPOILER SUPPORT KIT | € 68,00 |
| 32A | KIT-RRBDW30 | KIT VITERIA SPOILER POST. (Ø30MM) (DESTRO + SINISTRO) REAR SPOILER MOUNTING SCREWS KIT (Ø30MM) (RIGHT + LEFT) | € 45,00 |
| 32B | KIT-RRBDW32 | KIT VITERIA SPOILER POST. (Ø32MM) (DESTRO + SINISTRO) REAR SPOILER MOUNTING SCREWS KIT (Ø32MM) (RIGHT + LEFT) | € 45,00 |
| 33 | KIT-BDW-SPRSBS | MOLLA A TRAZIONE PER SUPPORTI CARENATURE LATERALI (10 pezzi) 2023 TRACTION SPRING SIDE BODYWORK SUPPORTS for 2023 (10 pieces) | € 35,00 |
| 34 | BDW-RRBDWC3SP | PARTE ESTERNA SPOILER POSTERIORE C3 C3 REAR SPOILER SIDE PART | € 15,00 |
| 35 | BDW-NPLW508 | PARTE INFERIORE FRONTALINO PORTANUMERO 508 508 NASSAU PANEL LOWER PART | € 29,00 |
| | BDW-NPLW509 | PARTE INFERIORE FRONTALINO PORTANUMERO 509 509 NASSAU PANEL LOWER PART | € 30,00 |
| 36 | BDW-NPUP508 | FRONTALINO PORTANUMERO MOD.508 NERO (PARTE SUP.) 508 NASSAU PANEL UPPER PART BLACK | € 59,00 |
| | BDW-NPUP509 | FRONTALINO PORTANUMERO MOD.509 NERO (PARTE SUP.) 509 NASSAU PANEL UPPER PART BLACK | € 65,00 |
| 37 | KIT-STK-RRSPSP | KIT ADESIVO UNIVERSALE PARTE ESTERNA SPOILER POST. (10 Pz.) UNIVERSAL REAR SPOILER SIDE PART STICKER KIT (10 Pcs.) | € 59,00 |



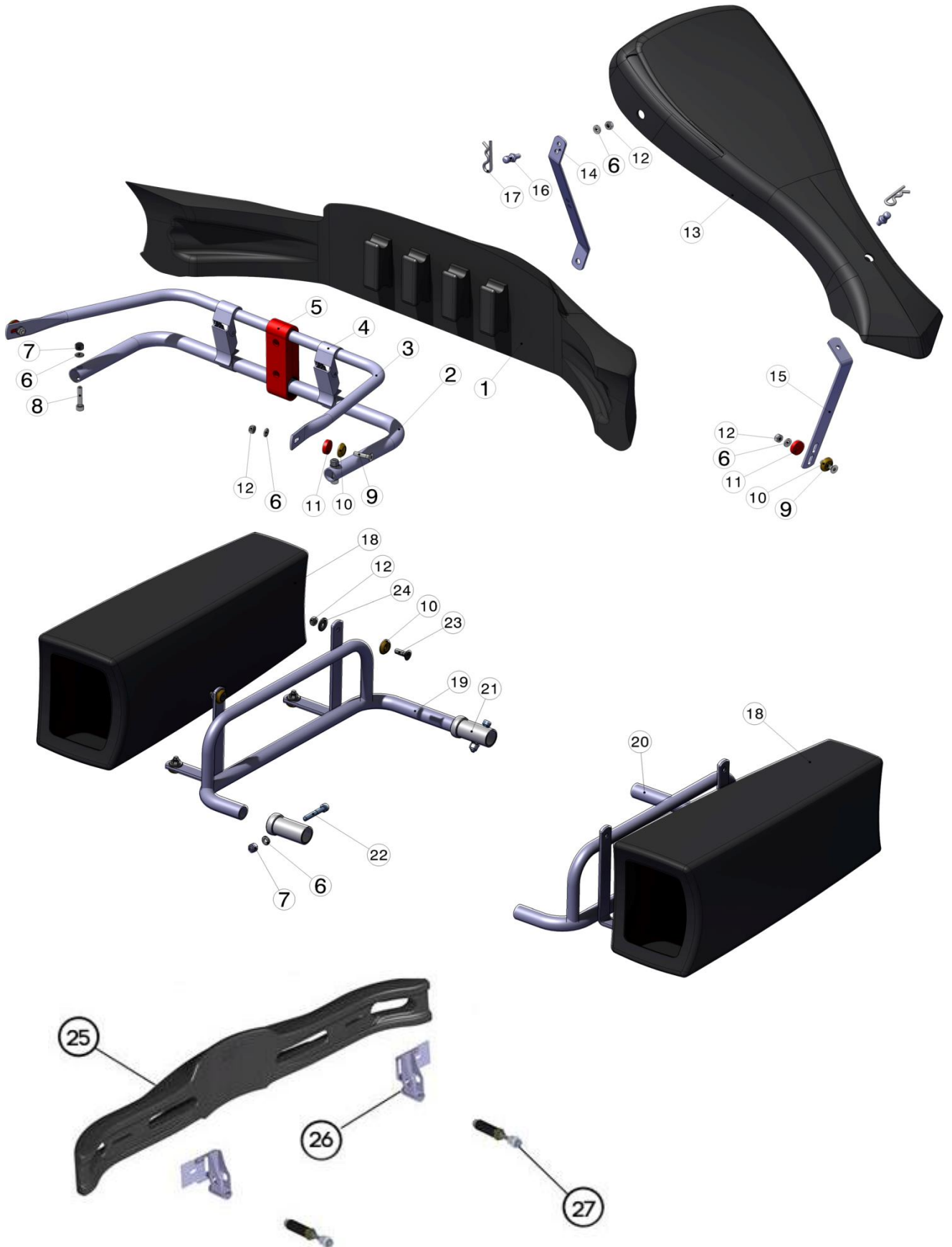
CARENATURE MK20|MK27 BODYWORKS

| Codice code | | Descrizione description | Prezzo (IVA escl.) price (excl. VAT) |
|-------------|--------------------|--|--|
| 1 | BDW-FRTSPL20 | SPOILER ANTERIORE MOD.MK20 NERO FRONT SPOILER MOD.MK20 BLACK | € 64,00 |
| 2 | BDW-LWFRSUPMK20 | SUPPORTO SPOILER ANTERIORE INFERIORE MK20 CROMATO MK20 LOW FRONT SPOILER SUPPORT CHROMED | € 24,00 |
| 3 | BDW-FRTHHSUP20 | SUPPORTO SPOILER ANTERIORE SUPERIORE MK20 CROMATO MK20 HIGH FRONT SPOILER SUPPORT CHROMED | € 30,00 |
| 4 | KIT-VT-WS0612 | RONDELLA Ø6x12MM (50 pezzi) WASHER Ø6x12MM (50 pieces) | € 15,00 |
| 5 | KIT-VT-NT06SL | DADO AUTOBLOCCANTE BASSO M6 (50 pezzi) NUT SELFLOCK LOW M6 (50 pieces) | € 19,00 |
| 6 | KIT-VT-SC0630CH | VITE TESTA CILINDRICA M6x30MM (50 pezzi) SCREW CYLINDRICAL HEAD M6x30MM (50 pieces) | € 23,00 |
| 7 | KIT-VT-SC0625SH | VITE TESTA SVASATA M6x25MM (50 pezzi) SCREW COUNTERSUNK HEAD M6x25MM (50 pieces) | € 23,00 |
| 8 | KIT-VT-WS0620CH | RONDELLA SVASATA Ø6x20MM ANODIZZATA (50 pezzi) WASHER COUNTERSUNK Ø6x20MM ANODIZED (50 pieces) | € 75,00 |
| 9 | KIT-VT-SB0620 | SILENTBLOCK Ø6xØ20xH5MM (50 pezzi) SILENTBLOCK Ø6xØ20xH5MM (50 pieces) | € 30,50 |
| 10 | KIT-VT-NT06SL | DADO AUTOBLOCCANTE BASSO M6 (50 pezzi) NUT SELFLOCK LOW M6 (50 pieces) | € 19,00 |
| 11 | BDW-NMBHLD20 | FRONTALINO PORTANUMERO MOD.MK20 NERO NASSAU PANEL MOD.MK20 BLACK | € 29,00 |
| 11B | BDW-NMBHLD27 | FRONTALINO PORTANUMERO MOD.MK27 NERO NASSAU PANEL MOD.MK27 BLACK | € 83,00  |
| 12 | KIT-BDW-HHSUPMK20 | SUPPORTO SUPERIORE FRONTALINO MK20 CROMATO (2 pezzi) MK20 HIGH NASSAU PANEL SUPPORT CHROMED (2 pieces) | € 22,00 |
| 12B | KIT-BDW-HHSUPMK27 | SUPPORTO SUPERIORE FRONTALINO MK27 CROMATO (2 pezzi) MK27 HIGH NASSAU PANEL SUPPORT CHROMED (2 pieces) | € 24,00  |
| 13 | KIT-BDW-HLWSUPMK20 | SUPPORTO INFERIORE FRONTALINO MK20 CROMATO (2 pezzi) MK20 LOW NASSAU PANEL SUPPORT CHROMED (2 pieces) | € 17,00 |
| 14 | KIT-VT-SF0612PN | PERNO SICUREZZA L12MM (10 pezzi) SAFETY PIN L12MM (10 pieces) | € 35,00 |
| 15 | KIT-VT-SFSPLNH | COPIGLIA SICUREZZA FRONTALINO (10 pezzi) NASSAU PANEL SAFETY SPLIT PIN (10 pieces) | € 8,00 |
| 16 | BDW-SPMK20 | CARENATURA LATERALE MK20 NERO MK20 SIDE BODYWORK BLACK | € 37,00 |
| 17 | BDW-LFTSUPMK20 | SUPPORTO CARENATURA SINISTRA MK20 CROMATO MK20 LEFT BODYWORK SUPPORT CHROMED | € 41,00 |
| 18 | BDW-RGHSUPMK20 | SUPPORTO CARENATURA DESTRA MK20 CROMATO MK20 RIGHT BODYWORK SUPPORT CHROMED | € 41,00 |
| 19 | KIT-VT-SC0635CH | VITE TESTA CILINDRICA M6x35MM (50 pezzi) SCREW CYLINDRICAL HEAD M6x35MM (50 pieces) | € 23,00 |
| 20 | KIT-VT-SC0820FL | VITE TESTA ESAGONALE FLANGIATA M8x20MM (50 pezzi) SCREW HEXAGON FLANGED HEAD M8x20MM (50 pieces) | € 23,00 |
| 21 | BDW-RRBDWHK | SPOILER POSTERIORE HULK NERO HULK REAR SPOILER BLACK | € 64,00 |
| 22 | KIT-RRBDWSUPHK | KIT SUPPORTO SPOILER POSTERIORE HULK HULK REAR SPOILER SUPPORT KIT | € 62,00 |
| 23 | KIT-RRBDW28HK | KIT VITERIA SPOILER POST. HULK (Ø28MM) (DESTRO + SINISTRO) HULK REAR SPOILER MOUNTING SCREWS KIT (Ø28MM) (RIGHT + LEFT) | € 40,00 |
| 24 | KIT-RRBDWRTX | KIT VITERIA SPOILER POSTERIORE Ø28MM DX+SX ROTAX MICROMAX ROTAX MICROMAX REAR SPOILER MOUNTING KIT Ø28MM RIGHT+LEFT | € 45,00 |
| 25 | KIT-BDW-BMPCLP | GANCIO METALLICO PARAURTI ANTERIORE (2 pezzi) FRONT BUMPER CLIP (2 pieces) | € 27,00 |
| 26 | BDW-BMPFST | BRIGLIA SPOILER ANTERIORE FRONT SPOILER FASTENING | € 10,00 |
| 27 | KIT-BDW-PLTFRT15 | PIASTRA SPOILER ANTERIORE CIK-FIA 2015 (2 pezzi) 2015 CIK-FIA FRONT SPOILER PLATE (2 pieces) | € 22,00 |
| 28 | KIT-VT-SC0620CH | VITE TESTA CILINDRICA M6x20MM (50 pezzi) SCREW CYLINDRICAL HEAD M6x20MM (50 pieces) | € 23,00 |
| 29 | KIT-VT-SBNSPN | KIT GOMMINO ANTIVIBRANTE FRONTALINO (10 pezzi) NASSAU PANEL ANTIVIBRATION RUBBER KIT (10 pieces) | € 20,00 |
| 30 | BDW-NPLWMK27 | PARTE INFERIORE FRONTALINO PORTANUMERO MK27 MK27 NASSAU PANEL LOWER PART |   € 25,00 |
| 31 | BDW-NPUPMK27 | FRONTALINO PORTANUMERO MOD.MK27 NERO (PARTE SUP.) MK27 NASSAU PANEL UPPER PART BLACK |   € 58,00 |



CARENATURE MK14-PUFFO | MK14-PUFFO BODYWORKS

| Codice code | Descrizione description | Prezzo (IVA escl.) price (excl. VAT) |
|----------------|---|---|
| 1 | BDW-FRTSPL14 SPOILER ANTERIORE MOD.MK14 NERO FRONT SPOILER MOD.MK14 BLACK | € 58,00 |
| 2 | BDW-LWFRSUP506 SUPPORTO SPOILER ANTERIORE INFERIORE CROMATO LOW FRONT SPOILER SUPPORT CHROMED | € 24,00 |
| 3 | BDW-FRTHHSUP20 SUPPORTO SPOILER ANTERIORE SUPERIORE MK20 CROMATO MK20 HIGH FRONT SPOILER SUPPORT CHROMED | € 30,00 |
| 4 | KIT-BDW-BMPCLP GANCIO METALLICO PARAURTI ANTERIORE (2 pezzi) FRONT BUMPER CLIP (2 pieces) | € 27,00 |
| 5 | BDW-BMPFST BRIGLIA SPOILER ANTERIORE FRONT SPOILER FASTENING | € 10,00 |
| 6 | KIT-VT-WS0612 RONDELLA Ø6x12MM (50 pezzi) WASHER Ø6x12MM (50 pieces) | € 15,00 |
| 7 | KIT-VT-NT06SH DADO AUTOBLOCCANTE ALTO M6 (50 pezzi) NUT SELFLOCK HIGH M6 (50 pieces) | € 19,00 |
| 8 | KIT-VT-SC0630CH VITE TESTA CILINDRICA M6x30MM (50 pezzi) SCREW CYLINDRICAL HEAD M6x30MM (50 pieces) | € 23,00 |
| 9 | KIT-VT-SC0625SH VITE TESTA SVASATA M6x25MM (50 pezzi) SCREW COUNTERSUNK HEAD M6x25MM (50 pieces) | € 23,00 |
| 10 | KIT-VT-WS0620CH RONDELLA SVASATA Ø6x20MM ANODIZZATA (50 pezzi) WASHER COUNTERSUNK Ø6x20MM ANODIZED (50 pieces) | € 75,00 |
| 11 | KIT-VT-SB0620 SILENTBLOCK Ø6xØ20xH5MM (50 pezzi) SILENTBLOCK Ø6xØ20xH5MM (50 pieces) | € 30,50 |
| 12 | KIT-VT-NT06SL DADO AUTOBLOCCANTE BASSO M6 (50 pezzi) NUT SELFLOCK LOW M6 (50 pieces) | € 19,00 |
| 13 | BDW-NMBHLD14 FRONTALINO PORTANUMERO MOD.MK14 NERO NASSAU PANEL MOD.MK14 BLACK | € 26,00 |
| 14 | KIT-BDW-HLDHHSUP SUPPORTO SUPERIORE FRONTALINO CROMATO (2 pezzi) HIGH NASSAU PANEL SUPPORT CHROMED (2 pieces) | € 22,00 |
| 15 | BDW-HLDLWSUP SUPPORTO INFERIORE FRONTALINO CROMATO LOW NASSAU PANEL SUPPORT CHROMED | € 11,00 |
| 16 | KIT-VT-SF0612PN PERNO SICUREZZA L12MM (10 pezzi) SAFETY PIN L12MM (10 pieces) | € 35,00 |
| 17 | KIT-VT-SFSPLNH COPIGLIA SICUREZZA FRONTALINO (10 pezzi) NASSAU PANEL SAFETY SPLIT PIN (10 pieces) | € 8,00 |
| 18 | BDW-SDBDWKND CARENATURA LATERALE MOD. PUFFO NERA SIDE BODYWORK MOD. PUFFO BLACK | € 32,00 |
| 19 | BDW-LFTSUPMK20 SUPPORTO CARENATURA SINISTRA MK20 CROMATO MK20 LEFT BODYWORK SUPPORT CHROMED | € 41,00 |
| 20 | BDW-RGHSUPMK20 SUPPORTO CARENATURA DESTRA MK20 CROMATO MK20 RIGHT BODYWORK SUPPORT CHROMED | € 41,00 |
| 21 | KIT-BDW-BMPBSH BOCCOLA PARAURTI LATERALE (10 pezzi) SIDE BUMPER BUSH (10 pieces) | € 35,00 |
| 22 | KIT-VT-SC0640CH VITE TESTA CILINDRICA M6x40MM (50 pezzi) SCREW CYLINDRICAL HEAD M6x40MM (50 pieces) | € 23,00 |
| 23 | KIT-VT-SC0620SH VITE TESTA SVASATA M6x20MM (50 pezzi) SCREW COUNTERSUNK HEAD M6x20MM (50 pieces) | € 23,00 |
| 24 | KIT-VT-WS0618 RONDELLA Ø6x18MM (50 pezzi) WASHER Ø6x18MM (50 pieces) | € 15,00 |
| 25 | BDW-RRBDWHK SPOILER POSTERIORE HULK NERO HULK REAR SPOILER BLACK | € 64,00 |
| 26 | KIT-RRBDWSUPHK KIT SUPPORTO SPOILER POSTERIORE HULK HULK REAR SPOILER SUPPORT KIT | € 62,00 |
| 27 | KIT-RRBDW28HK KIT VITERIA SPOILER POST. HULK (Ø28MM) (DESTRO + SINISTRO) HULK REAR SPOILER MOUNTING SCREWS KIT (Ø28MM) (RIGHT + LEFT) | € 40,00 |



PIASTRE MOTORE | ENGINE MOUNTS

| Codice <i>code</i> | Descrizione <i>description</i> | Immagine | Prezzo (IVA escl.) <i>price (excl. VAT)</i> |
|-----------------------|---|---|---|
| ENG-MNT3092 | PIASTRA MOTORE Ø30x92MM MAGNESIO <i>MAGNESIUM ENGINE MOUNT Ø30x92MM</i> |  | € 85,00 |
| ENG-MNT3292 | PIASTRA MOTORE Ø32x92MM MAGNESIO <i>MAGNESIUM ENGINE MOUNT Ø32x92MM</i> | | € 85,00 |
| ENG-MNT2892 | PIASTRA MOTORE Ø28x92MM ALLUMINIO <i>ALUMINIUM ENGINE MOUNT Ø28x92MM</i> |  | € 76,00 |
| ENG-MNT2892R | PIASTRA MOTORE Ø28x92MM mod. R ALLUMINIO <i>R mod. ALUMINIUM ENGINE MOUNT Ø28x92MM</i> <i>Compatibile con motori 60cc. TM, lame e X30.</i> <i>Compatible with 60cc engines. TM, lame e X30</i> |  | € 129,00 |
| ENG-BRKUNI92 | CAVALLOTTO MOTORE UNIVERSALE 92MM <i>UNIVERSAL ENGINE BRACKET 92MM</i> |  | € 22,00 |
| ENG-DD2MNT3092 | CAVALLOTTO MOTORE Ø30x92MM DD2 <i>DD2 ENGINE BRACKET Ø30x92MM</i> |  | € 23,00 |
| ENG-BRKLNGDD2 | SPESSORE PIASTRA MOTORE H5MM DD2 <i>LINING FOR DD2 ENGINE BRACKET H5MM</i> |  | € 20,00 |
| ENG-CHNSTRKZR | PIASTRA SPINGIMOTORE KZ MOD. R <i>R MOD. KZ CHAIN STRETCHER PLATE</i> |  | € 28,00 NEW |
| KIT-VT-SC0620RHSU | VITE TESTA BOMABATA QUADRO SOTTOTEST M6x20MM (50) <i>SCREW ROUND HEAD SQUARE UNDERHEAD M6x20MM (50)</i> |  | € 29,00 NEW |
| CS-ENG-CHNSCRN | VITE SPINGIMOTORE COMPLETA <i>CHAIN STRETCHER SCREW COMPLETE</i> |  | € 25,00 |
| CS-ENG-CHNSCRNL | VITE SPINGIMOTORE LUNGA COMPLETA per Minikart <i>LONG CHAIN STRETCHER SCREW COMPLETE for Minikart</i> | | € 25,00 |
| ENG-GX35SUP | SUPPORTO MOTORE HONDA GX35 <i>HONDA GX35 ENGINE SUPPORT</i> |  | € 25,00 |
| ENG-DD2AIRPLT | PIASTRA SUPPORTO FILTRO ARIA DD2 <i>DD2 AIR FILTER SUPPORT PLATE</i> |  | € 19,00 |
| KIT-VT-SC1030CH | VITE TESTA CILINDRICA M10x30MM (10 pezzi) <i>SCREW CYLINDRICAL HEAD M10x30MM (10 pieces)</i> | | € 13,00 |

CATENE | CHAINS

| Codice code | Descrizione description | Prezzo netto (IVAescl.) net price (excl. VAT) |
|----------------|---|--|
| CHN-428HDXX | CATENA D.I.D. 428 HD - 60, 72, 80 MAGLIE CHAIN D.I.D. 428 HD - 60, 72, 80 LINKS | on request |
| KIT-CHN-428HDJ | GIUNTO PER CATENA D.I.D. 428 HD (20 pezzi) JOINT FOR CHAIN D.I.D. 428 HD (20 pieces) | |

D.I.D.

| | | |
|-----------------|---|------------|
| CHN-219CZGOLDXX | CATENA CZ 219 GOLD - DA 94 A 116 MAGLIE CHAIN CZ 219 GOLD - FROM 94 TO 116 LINKS | on request |
| CHN-219CZKSJXX | CATENA CZ 219 KSJ - DA 94 A 116 MAGLIE (rinforzata - no o-ring) CHAIN CZ 219 KSJ - FROM 94 TO 116 LINKS (reinforced - no o-ring) | |
| CHN-219CZORSXX | CATENA CZ 219 ORS - DA 98 A 114 MAGLIE (o-ring - ultra rinforzata) CHAIN CZ 219 ORS - FROM 98 TO 114 LINKS (o-ring - ultra reinforced) | |

CZ Chains

CONVOGLIATORE ARIA | AIR CONVEYOR

| Codice code | Descrizione description | Prezzo (IVA escl.) price (excl. VAT) |
|------------------|---|---|
| KIT-ENG-MKAIRCVY | KIT CONVOGLIATORE RAFFREDDAMENTO BASAMENTO MINIKART 60cc. (gruppo 3) MINIKART 60cc ENGINE AIR CONVEYOR KIT (group 3) | € 75,00 |

New



* conforme al regolamento tecnico FIA, articolo 10.17
* compliant to the FIA technical rules, articolo 10.17

RADIATORI & SUPPORTI | RADIATORS & SUPPORTS

| Codice code | Descrizione description | Prezzo netto (IVA escl.) net price (excl. VAT) |
|----------------|---|--|
| N-L232 | RADIATORE NEW-LINE R-OK MAX H 430 x L 200 x P 35 NEW-LINE R-OK MAX RADIATOR FORNITO CON SUPPORTI, TENDINA E RECUPERO ACQUA PROVIDED WITH SUPPORTS, SCREEN AND WATER RECOVERY |   € 324,00 |
| N-L233 | RADIATORE NEW-LINE RS MAX H 430 x L 240 x P 35 NEW-LINE RS MAX RADIATOR FORNITO CON SUPPORTI, TENDINA E RECUPERO ACQUA PROVIDED WITH SUPPORTS, SCREEN AND WATER RECOVERY |   € 398,00 |
| N-L235 | RADIATORE NEW-LINE BIG MAX H 430 x L 290 x P 35 NEW-LINE BIG MAX RADIATOR FORNITO CON SUPPORTI, TENDINA E RECUPERO ACQUA PROVIDED WITH SUPPORTS, SCREEN AND WATER RECOVERY |   € 449,00 |





OFFERTE SPECIALI PER ORDINI A PARTIRE DA 10 PEZZI PER MODELLO
SPECIAL OFFERS FOR ORDERS UP TO 10 UNITS PER MODEL

| | | |
|--------|--|--|
| N-L113 | TENDINA MODELLO R-OK SCREEN FOR R-OK MODEL |  € 89,00 |
| N-L114 | TENDINA MODELLO RS SCREEN FOR RS MODEL | |
| N-L115 | TENDINA MODELLO BIG SCREEN FOR BIG MODEL | |
| N-L120 | SUPPORTI MODELLO R-OK SUPPORTS FOR R-OK MODEL |  € 80,00 |
| N-L122 | SUPPORTI MODELLO RS SUPPORTS FOR RS MODEL |  € 120,00 |
| N-L123 | SUPPORTI MODELLO BIG SUPPORTS FOR BIG MODEL | |


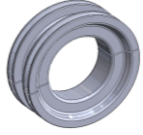
| | | | |
|-----------|---|---|---------|
| N-L126-BL | SERBATOIO DI RECUPERO NEW LINE BLU NEW LINE BLUE RECOVERY TANK |   | € 9,50 |
| N-L126-RD | SERBATOIO DI RECUPERO NEW LINE ROSSO NEW LINE RED RECOVERY TANK FORNITO CON FASCETTA PROVIDED WITH CLAMP | | |
| N-L125 | TAPPO PER RADIATORI NEW-LINE IN ALLUMINIO NEW-LINE ALUMINIUM RADIATOR CAP |       | € 32,00 |
| N-L124 | SILENT-BLOCK PER RADIATORI NEW LINE NEW -LINE RADIATORS SILENT-BLOCK | | € 4,50 |
| N-L139 | KIT VITI RADIATORE NEW LINE NEW-LINE RADIATOR SCREWS KIT | | € 5,50 |
| N-L119 | DEFLETTORE RADIATORE NEW LINE NEW-LINE RADIATOR DEFLECTOR | | € 25,00 |
| N-L140 | KIT VITI TENDINA RADIATORE NEW LINE NEW-LINE SCREEN RADIATOR SCREWS KIT | | € 14,00 |
| N-L129 | TUBO IN SILICONE (DOPPIA CURVA) SILICON PIPE (DOUBLE BEND) | | € 24,50 |

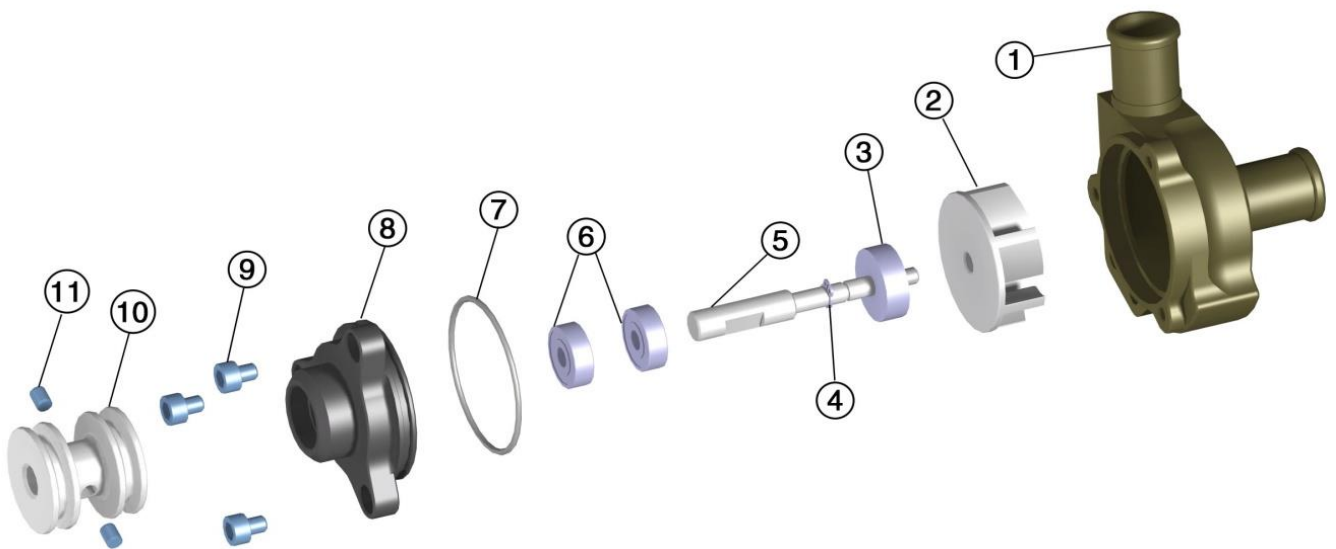
| | | | |
|-------|---|--|----------|
| EM-01 | RADIATORE MODELLO EM-01 MEDIUM H 435 x L 250 x P 40 EM-01 MEDIUM MODEL RADIATOR FORNITO CON SUPPORTI, TENDINA E RECUPERO ACQUA PROVIDED WITH SUPPORTS, SCREEN AND WATER RECOVERY |   | € 219,00 |
| EM-02 | RADIATORE MODELLO EM-02 SUPERIOR H 435 x L 290 x P 40 EM-02 SUPERIOR MODEL RADIATOR FORNITO CON SUPPORTI, TENDINA E RECUPERO ACQUA PROVIDED WITH SUPPORTS, SCREEN AND WATER RECOVERY |   | € 229,00 |
| EM-03 | TENDINA MODELLO EM-01 MEDIUM SCREEN FOR EM-01 MEDIUM MODEL |  | € 79,00 |
| EM-04 | TENDINA MODELLO EM-02 SUPERIOR SCREEN FOR EM-02 SUPERIOR MODEL | | |
| EM-05 | SUPPORTI RADIATORE MODELLO EM-01 MEDIUM EM-01 MEDIUM MODELS SUPPORTS KIT |  | € 97,00 |
| EM-06 | SUPPORTI RADIATORE MODELLO EM-02 SUPERIOR EM-02 SUPERIOR MODELS SUPPORTS KIT | | |

SUPPORTI RADIATORE DD2 | DD2 RADIATOR SUPPORTS



| Codice code | Descrizione description | Prezzo (IVA escl.) price (excl. VAT) |
|----------------|--|--|
| ENG-HGHRADD2 | SUPPORTO RADIATORE DD2 ALTO DD2 HIGH RADIATOR SUPPORT |  € 22,00 |
| ENG-LWRADD2 | SUPPORTO RADIATORE DD2 BASSO DD2 LOW RADIATOR SUPPORT |  € 18,00 |



POMPA ACQUA | WATER PUMP

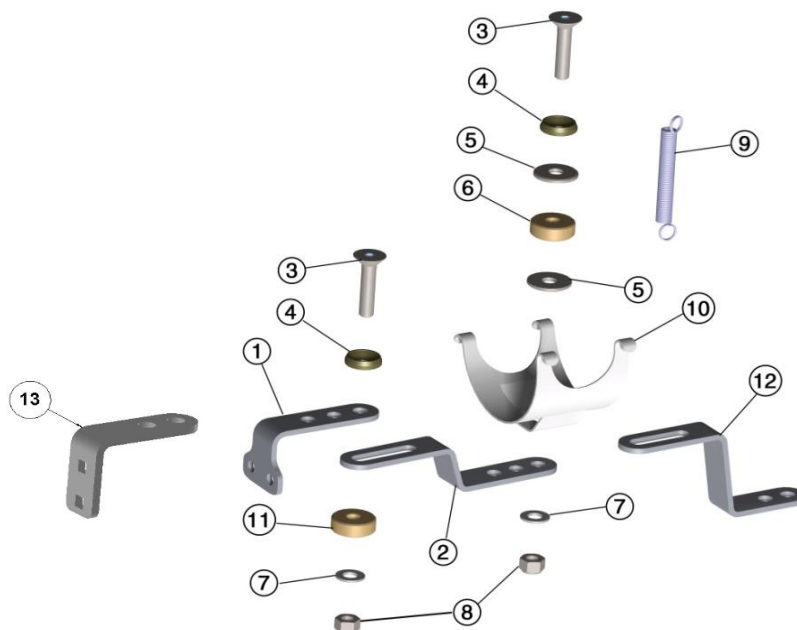
| Codice code | Descrizione description | Prezzo (IVA escl.) price (excl. VAT) |
|----------------|---|---|
| ENG-PMP | POMPA ACQUA WATER PUMP |  € 130,00 |
| CS-ENG-PUL50 | PULEGGIA POMPA ACQUA PER ASSALE Ø50mm WATER PUMP PULLEY FOR Ø50mm AXLE |  € 35,00 |
| CS-ENG-PUL40 | PULEGGIA POMPA ACQUA PER ASSALE Ø40mm WATER PUMP PULLEY FOR Ø40mm AXLE | |
| CS-ENG-PUL30 | PULEGGIA POMPA ACQUA PER ASSALE Ø30mm WATER PUMP PULLEY FOR Ø30mm AXLE | |
| KIT-ENG-PMPOR | O-RING PULEGGIA POMPA ACQUA (10 pezzi) WATER PUMP PULLEY O-RING (10 pieces) | € 11,50 |
| 1 | ENG-PMPDIF DIFFUSORE POMPA ACQUA WATER PUMP DIFFUSER | € 64,00 |
| 2 | ENG-PMPIMP GIRANTE POMPA ACQUA WATER PUMP IMPELLER | € 30,50 |
| 3 | ENG-PMPOIL PARAOILIO Ø22X6X7mm OIL RETAINER Ø22X6X7mm | € 6,50 |
| 4 | KIT-VT-SG05 SEEGER Ø5mm (50 pezzi) SEEGER Ø5mm (50 pieces) | € 25,00 |
| 5 | ENG-PMPSHF ALBERO GIRANTE POMPA ACQUA WATER PUMP IMPELLER SHAFT | € 23,00 |
| 6 | KIT-CU-0619 CUSCINETTO Ø19XØ6xH6mm (10 pezzi) BEARING Ø19XØ6xH6mm (10 pieces) | € 25,00 |
| 7 | KIT-VT-OR44 O-RING PER POMPA ACQUA (10 pezzi) O-RING FOR WATER PUMP (10 pieces) | € 6,50 |
| 8 | ENG-PMPCAP TAPPO POMPA ACQUA ANODIZZATO NERO WATER PUMP CAP ANODIZED BLACK | € 30,50 |
| 9 | KIT-VT-SC0510CH VITE TESTA CILINDRICA M5X10mm (50 pezzi) SCREW CYLINDRICAL HEAD M5X10mm (50 pieces) | € 23,00 |
| 10 | ENG-PMPPLY PULEGGIA POMPA ACQUA WATER PUMP PULLEY | € 20,00 |
| 11 | KIT-VT-PN0606B GRANO PUNTA PIANA M6x6MM (50 pezzi) FLAT PIN M6x6MM (50 pieces) | € 23,00 |



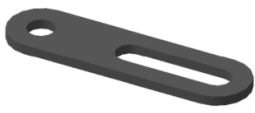
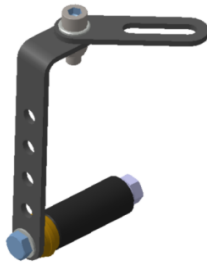


SUPPORTI SCARICO | EXHAUST SUPPORTS














| Codice code | Descrizione description | Prezzo (IVA escl.) price (excl. VAT) |
|----------------|---|---|
| CS-ENG-SLHDR | SUPPORTO SCARICO OK/KZ MOD. R OK/KZ SILENCER HOLDER R MOD. |  € 55,00 |
| CS-ENG-SILHDMK | SUPPORTO SCARICO MINIKART MINIKART SILENCER HOLDER |  € 55,00 |

| | | | |
|-------------------|-----------------|--|--|
| 1 | ENG-SILHLDBRK | PIASTRA SUPPORTO SILENZIATORE SCARICO UNIVERSALE ZINCATO BIANCO UNIVERSAL EXHAUST SILENCER SUPPORT WHITE GALVANIZED | € 15,00 |
| 2 | ENG-SILHLDSUPKZ | SUPPORTO CULLA SILENZIATORE ZINCATO BIANCO SILENCER HOLDER SUPPORT WHITE GALVANIZED | € 16,00 |
| 3 | KIT-VT-SC1045SH | VITE TESTA SVASATA M10x45MM (50 pezzi) SCREW COUNTERSUNK HEAD M10x45MM (50 pieces) | € 23,00 |
| 4 | KIT-VT-WS1025CH | RONDELLA SVASATA Ø10x25MM ANODIZZATA (50 pezzi) WASHER COUNTERSUNK Ø10x25MM ANODIZED (50 pieces) | € 90,00 |
| 5 | KIT-VT-WS1030 | RONDELLA Ø10x30MM (50 pezzi) WASHER Ø10x30MM (50 pieces) | € 15,00 |
| 6 | KIT-VT-SB1035 | SILENTBLOCK Ø10xØ35xH10.5MM (10 pezzi) SILENTBLOCK Ø10xØ35xH10.5MM (10 pieces) | € 28,00 |
| 7 | KIT-VT-WS1020 | RONDELLA Ø10x20MM (50 pezzi) WASHER Ø10x20MM (50 pieces) | € 15,00 |
| 8 | KIT-VT-NT10SH | DADO AUTOBLOCCANTE ALTO M10 (50 pezzi) NUT SELFLOCK HIGH M10 (50 pieces) | € 19,00 |
| 9 | KIT-ENG-SILSPR | MOLLA CULLA SILENZIATORE (10 pezzi) SILENCER HOLDER SPRING (10 pieces) | € 29,00 |
| 10 | ENG-SILHLDR | CULLA SILENZIATORE - ZINCATA BIANCA SILENCER HOLDER - WHITE GALVANIZED | € 10,00 |
| 11 | KIT-VT-SP1030 | DISTANZIALE Ø10xØ30xH10MM (20 pezzi) SPACER Ø10xØ30xH10MM (20 pieces) | € 50,00 |
| 12 | ENG-SILHLDSUPMK | SUPPORTO CULLA SILENZIATORE MINIKART ZINCATO BIANCO MINIKART SILENCER HOLDER SUPPORT WHITE GALVANIZED | € 18,00 |
| 13 | ENG-SILHLDBRK | PIASTRA SUPPORTO SILENZIATORE SCARICO OK/KZ MOD.R OK/KZ EXHAUST SILENCER SUPPORT R MOD. WHITE GALVANIZED |  € 18,00 |
| KIT-VT-SC0620RHSU | | VITE TESTA BOMBATA QUADRO SOTTO TEST M6x20MM (50 Pz.) SCREW ROUND HEAD SQUARE UNDERHEAD M6x20MM (50 pcs.) |  € 29,00 |



















| | | | |
|--------------------|--|--|---------|
| ENG-SILRTXSPDRGH | SUPPORTO SILENZIATORE DESTRO MINIKART ROTAX MINIKART ROTAX RIGHT SILENCER HOLDER |  | € 15,00 |
| ENG-SILMMXLFT | SUPPORTO SILENZIATORE SINISTRO MINIKART ROTAX MINIKART ROTAX LEFT SILENCER HOLDER |  | € 24,00 |
| ENG-DD2SHPLT | PIASTRA SUPPORTO SILENZIATORE DD2 DD2 SILENCER HOLDER PLATE |  | € 13,00 |
| CS-ENG-SILDD2RGH | KIT SUPPORTO SILENZIATORE DESTRO DD2 Ø30MM DD2 SILENCER HOLDER SUPPORT KIT Ø30MM |  | € 55,00 |
| CS-ENG-SILDD2RGH32 | KIT SUPPORTO SILENZIATORE DESTRO DD2 Ø32MM DD2 SILENCER HOLDER SUPPORT KIT Ø32MM | | |

CERCHI | WHEEL RIMS

| Codice code | Descrizione description | Prezzo (IVA escl.) price (excl. VAT) | |
|--------------------|--|--|--------------|
| CS-RIM-FRT109D17AL | CERCHIO ANTERIORE L109MM VENTILATO ALLUMINIO CUSCINETTO Ø17MM VENTED ALUMINIUM FRONT RIM L109MM WITH Ø17MM BEARINGS |  € 54,00 | |
| | FUSELLO SPINDLE | | Ø17 mm |
| | DIMENSIONI DIMENSIONS | | L109MM x 5" |
| | CERCHIO FORNITO CON VALVOLA E CUSCINETTI RIM PROVIDED WITH VALVE AND BEARINGS | | |
| CS-RIM-RR146ALV | CERCHIO POSTERIORE L146MM ALLUMINIO (CON VALVOLA) ALUMINIUM REAR RIM L146MM (WITH VALVE) |  € 50,00 | |
| | MOZZI POSTERIORI REAR HUBS | | Ø25 - Ø30 mm |
| | DIMENSIONI DIMENSIONS | | L146MM x 5" |
| | CERCHIO FORNITO CON VALVOLA RIM PROVIDED WITH VALVE | | |
| CS-RIM-FRT132V | CERCHIO ANTERIORE L132MM VENTILATO MAGNESIO "DWT" SERIE-V "DWT" V-SERIES VENTED MAGNESIUM FRONT RIM L132MM |  € 68,00 | |
| | DIMENSIONI DIMENSIONS | | L132MM x 5" |
| | FORNITO CON VALVOLA E VITI ANTISTALLONAMENTO PROVIDED WITH VALVE AND BEADLOCK SCREWS | | |
| |  | | |
| CS-RIM-RR212V | CERCHIO POSTERIORE L212MM VENTILATO MAGNESIO "DWT" SERIE-V "DWT" V-SERIES VENTED MAGNESIUM REAR RIM L212MM |  € 79,00 | |
| | DIMENSIONI DIMENSIONS | | L212MM x 5" |
| | FORNITO CON VALVOLA E VITI ANTISTALLONAMENTO PROVIDED WITH VALVE AND BEADLOCK SCREWS | | |
| |  | | |
| CS-RIM-FRT132LV | CERCHIO ANTERIORE L132MM VENTILATO MAGNESIO "DWT" SERIE-LV "DWT" LV-SERIES VENTED MAGNESIUM FRONT RIM L132MM |  € 74,00 | |
| | DIMENSIONI DIMENSIONS | | L132MM x 5" |
| | FORNITO CON VALVOLA E VITI ANTISTALLONAMENTO PROVIDED WITH VALVE AND BEADLOCK SCREWS | | |
| |  | | |
| CS-RIM-RR212LV | CERCHIO POSTERIORE L212MM VENTILATO MAGNESIO "DWT" SERIE-LV "DWT" LV-SERIES VENTED MAGNESIUM REAR RIM L212MM |  € 84,00 | |
| | DIMENSIONI DIMENSIONS | | L212MM x 5" |
| | FORNITO CON VALVOLA E VITI ANTISTALLONAMENTO PROVIDED WITH VALVE AND BEADLOCK SCREWS | | |
| |  | | |
| CS-RIM-FRT130AL | CERCHIO ANTERIORE L130MM VENTILATO ALLUMINIO VENTED ALUMINIUM FRONT RIM L130MM |  € 45,00 | |
| | DIMENSIONI DIMENSIONS | | L130MM x 5" |
| | FORNITO CON VALVOLA E VITI ANTISTALLONAMENTO PROVIDED WITH VALVE AND BEADLOCK SCREWS | | |
| | | | |
| CS-RIM-RR180AL | CERCHIO POSTERIORE L180MM VENTILATO ALLUMINIO VENTED ALUMINIUM REAR RIM L180MM |  € 55,00 | |
| | DIMENSIONI DIMENSIONS | | L180MM x 5" |
| | FORNITO CON VALVOLA E VITI ANTISTALLONAMENTO PROVIDED WITH VALVE AND BEADLOCK SCREWS | | |
| | | | |
| CS-RIM-RR210AL | CERCHIO POSTERIORE L210MM VENTILATO ALLUMINIO BLACK LINE VENTED ALUMINIUM REAR RIM L210MM BLACK LINE |  € 59,00 | |
| | DIMENSIONI DIMENSIONS | | L210MM x 5" |
| | FORNITO CON VALVOLA E VITI ANTISTALLONAMENTO PROVIDED WITH VALVE AND BEADLOCK SCREWS | | |
| | | | |
| KIT-CU-1730 | CUSCINETTO Ø17XØ30XH7MM per cerchi anteriori (10 pezzi) BEARING Ø17XØ30XH7MM for front wheels (10 pieces) | € 24,00 | |
| KIT-RIM-TBVLV | VALVOLA CERCHIO RUOTA (10 pezzi) WHEEL RIM VALVE (10 pieces) | € 11,00 | |
| KIT-CS-VT-SF0514BL | VITE ANTISTALLONAMENTO M5x14MM CON O-RING (50 pezzi) BEADLOCK SCREW M5x14MM WITH O-RING (50 pieces) | € 110,00 | |
| KIT-VT-NT08FMB | DADO METALBLOCK FLANGIATO RAMATO M8 (12 pezzi) NUT FLANGED METALBLOCK COPPER M8 (12 pieces) | € 19,00 | |

SERBATOIO & ACCESSORI | FUEL TANK & ACCESSORIES

| Codice code | Descrizione description | | Prezzo (IVA escl.) price (excl. VAT) |
|----------------|--|---|---|
| CS-TNK-FLT8L | SERBATOIO CARBURANTE 8.5L FUEL TANK 8.5L CON TAPPO, PESCANTE, SFIATO ARIA E VITE DI FISSAGGIO WITH CAP, SUCTION, AIR PURGE AND FIXING SCREW |  | € 44,50 |
| CS-TNK-FLT4L | SERBATOIO CARBURANTE 4.5L FUEL TANK 4.5L CON TAPPO, PESCANTE, SFIATO ARIA E VITE DI FISSAGGIO WITH CAP, SUCTION, AIR PURGE AND FIXING SCREW |  | € 40,00 |
| CS-TNK-FLT3L | SERBATOIO CARBURANTE 3.5L FUEL TANK 3.5L CON TAPPO, PESCANTE, SFIATO ARIA E VITE DI FISSAGGIO WITH CAP, SUCTION, AIR PURGE AND FIXING SCREW |  | € 35,50 |
| TNK-REC | SERBATOIO DI RECUPERO RECOVERY TANK |  | € 4,50 |
| TNK-SCR | VITE SERBATOIO NERA FUEL TANK SCREW BLACK |  | € 2,50 |
| TNK-SCR-RD | VITE SERBATOIO ROSSA FUEL TANK SCREW RED | | |
| TNK-CAP | TAPPO PER SERBATOIO NERO FUEL TANK CAP BLACK |  | € 4,50 |
| TNK-CAP-RD | TAPPO PER SERBATOIO ROSSO FUEL TANK CAP RED | | |
| KIT-TNK-CAPGSK | GUARNIZIONE PER TAPPO SERBATOIO (10 pezzi) FUEL TANK CAP GASKET (10 pieces) |  | € 14,50 |
| TNK-FLPP | TUBO CARBURANTE IPK Ø5X9MM (100 metri) IPK FUEL PIPE Ø5X9MM (100 meters) |  | € 205,00 |
| KIT-RC.117 | RACCORDO FILETTATO PER SERBATOIO (10 pezzi) FUEL TANK THREADED CONNECTION (10 pieces) |  | € 52,00 |
| KIT-RC.115 | RACCORDO SERBATOIO COMPLETO DI OR (10 pezzi) FUEL TANK CONNECTION WITH OR (10 pieces) |  | € 109,00 |
| KIT-RC.119 | SFIATO SERBATOIO COMPLETO DI OR (10 pezzi) FUEL TANK AIR FLOW CONNECTION WITH OR (10 pieces) |  | € 109,00 |
| KIT-RC.118 | PESCANTE SERBATOIO (10 pezzi) FUEL TANK SUCTION PIPE (10 pieces) |  | € 109,00 |
| KIT-RC.242 | MOLLA RACCORDO SERBATOIO (10 pezzi) FUEL TANK CONNECTION SPRING (10 pieces) |  | € 9,00 |
| KIT-TNK-JNT | TAPPO RACCORDO NERO (10 pezzi) FUEL TANK JOINT CAP BLACK (10 pieces) |  | € 10,00 |
| KIT-TNK-JNT-RD | TAPPO RACCORDO ROSSO (10 pezzi) FUEL TANK JOINT CAP RED (10 pieces) | | |
| KIT-TNK-TDV | RACCORDO TUBO CARBURANTE "T" (10 pezzi) FUEL TANK "T" DIVERTER (10 pieces) |  | € 51,50 |
| KIT-TNK-YDV | RACCORDO TUBO CARBURANTE "Y" (10 pezzi) FUEL TANK "Y" DIVERTER (10 pieces) | | |
| TNK-FLFLT | FILTRO CARBURANTE FUEL FILTER |  | € 14,50 |






PRODOTTI XERAMIC | XERAMIC PRODUCTS

| Codice code | Descrizione description | Contenuto contents | Prezzo netto (IVAescl.) net price (excl. VAT) |
|--------------------------|--|--|---|
| KART RACING OIL | | | |
| X-20115 | PM Xeramic Castor Evolution 2T Kart Racing Oil | 12 X 1L | € 210,00 |
| X-20470 | PM Xeramic Synmax Full Synthetic 2T Kart Racing Oil | 12 X 1L | € 220,00 |
| KART GEAR OIL | | | |
| X-20472 | PM Xeramic KF Kart Gear Oil | 12 X 1L | € 158,00 |
| X-20473 | PM Xeramic KZ Kart Transmission Oil | 12 X 1L | € 230,00 |
| CHAIN SPRAY | | | |
| X-20108 | PM Xeramic Synthetic Chain Spray | 12 X 500ml | € 130,00 |
| X-20326 | PM Xeramic Kart Chain Lube | 12 X 500ml | € 118,00 |
| X-20407 | PM Xeramic Ceramic White Chain Spray | 12 X 500ml | € 108,00 |
| CLEANING PRODUCTS | | | |
| X-20311 | PM Xeramic Air Intake Carb & Choke Cleaner | 12 X 500ml | € 76,00 |
| X-20315 | PM Xeramic Brake Cleaner | 12 X 500ml | € 36,00 |
| X-20404 | PM Xeramic Helmet Visor Cleaner | 12 x 200ml | € 54,00 |
| LUBRICANTS | | | |
| X-20405 | PM Xeramic X40 Ceramic Multi Spray | 12 x 500ml | € 74,00 |
| X-20416 | PM Xeramic Bearing Lube | 12 x 400ml | € 110,00 |
| X-20348 | PM Xeramic Tyre Fitting Lube New | 12 x 500ml | € 95,00 |
| BRAKE FLUID | | | |
| X-20476 | PM Xeramic Brake Fluid DOT 5.1 | 24 x 250ml | € 104,00 |
| INSTANT GASKETS | | | |
| X-20150 | PM Xeramic Instant Gasket Red | 12 x 200ml | € 170,00 |
| X-20151 | PM Xeramic Instant Gasket Black | 12 x 200ml | € 170,00 |
| COPPER PASTE | | | |
| X-20160 | PM Xeramic Copper Paste | 6 x 500ml | € 100,00 |
| X-20155 | PM Xeramic Copper Paste | 12 x 200ml | € 200,00 |
| DRYER | | | |
| HDRY | Helmet Dryer New |  | € 219,00 |
| SDRY | Suit Dryer New | | € 299,00 |

Xeramic
KART LUBRICANTS



ACCESSORI PISTA | TRACK ACCESSORIES

| Codice <i>code</i> | Descrizione <i>description</i> | Prezzo netto (IVA escl.) <i>net price (excl. VAT)</i> |
|-----------------------|---|---|
| KRT-IPKDMP | CARRELLO PORTA KART IPK CON SISTEMA DI SOLLEVAMENTO con gomme piene <i>IPK KART TROLLEY WITH LIFTING SYSTEM with full rubber tires</i> | on request |
| |  | |
| KRT-IPK | CARRELLO PORTA KART IPK con gomme piene <i>IPK KART TROLLEY with full rubber tires</i> | on request |
| |  | |
| KRT-EX | CARRELLO ESPOSITORE KART <i>KART TROLLEY EXHIBITOR</i> | on request |
| |  | |
| TRK-TYRPRM | SMONTA GOMME "PREMIUM" <i>"PREMIUM" DISSAMBLY FOR TYRES</i> | on request |
| TRK-TYRRCN | SMONTA GOMME "RACING" <i>"RACING" DISSAMBLY FOR TYRES</i> | on request |
| KIT-STK-NUM0 | ADESIVO NUMERO "0" (10 pezzi) <i>NUMBER "0" STICKER (10 pieces)</i> | <div style="font-size: 48px; font-weight: bold; margin: 0;">12345</div> <div style="font-size: 48px; font-weight: bold; margin: 0;">67890</div> € 9,00 |
| KIT-STK-NUM1 | ADESIVO NUMERO "1" (10 pezzi) <i>NUMBER "1" STICKER (10 pieces)</i> | |
| KIT-STK-NUM2 | ADESIVO NUMERO "2" (10 pezzi) <i>NUMBER "2" STICKER (10 pieces)</i> | |
| KIT-STK-NUM3 | ADESIVO NUMERO "3" (10 pezzi) <i>NUMBER "3" STICKER (10 pieces)</i> | |
| KIT-STK-NUM4 | ADESIVO NUMERO "4" (10 pezzi) <i>NUMBER "4" STICKER (10 pieces)</i> | |
| KIT-STK-NUM5 | ADESIVO NUMERO "5" (10 pezzi) <i>NUMBER "5" STICKER (10 pieces)</i> | |
| KIT-STK-NUM6 | ADESIVO NUMERO "6" (10 pezzi) <i>NUMBER "6" STICKER (10 pieces)</i> | |
| KIT-STK-NUM7 | ADESIVO NUMERO "7" (10 pezzi) <i>NUMBER "7" STICKER (10 pieces)</i> | |
| KIT-STK-NUM8 | ADESIVO NUMERO "8" (10 pezzi) <i>NUMBER "8" STICKER (10 pieces)</i> | |
| KIT-STK-NUM9 | ADESIVO NUMERO "9" (10 pezzi) <i>NUMBER "9" STICKER (10 pieces)</i> | |
| TRK-SNPLSR | ALLINEATORE LASER SNIPER V2 <i>SNIPER V2 LASER ALIGNMENT SYSTEM</i> |  on request |
| TRK-SNPKPI | ALLINEATORE LASER SNIPER KPI <i>SNIPER KPI LASER ALIGNMENT SYSTEM</i> |  on request |